



T&S BRASS AND BRONZE WORKS, INC.
 2 SADDLEBACK COVE / P.O. BOX 1088 / TRAVELERS REST, SC 29690
 PHONE 800-476-4103 - FAX 864- 834-3518

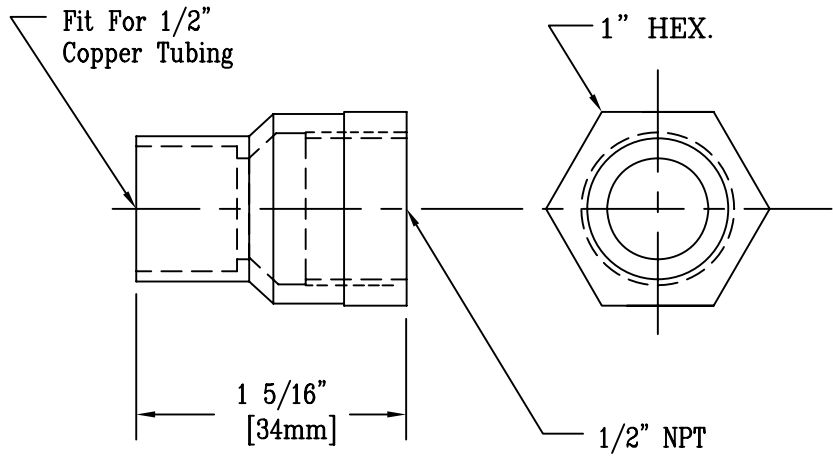
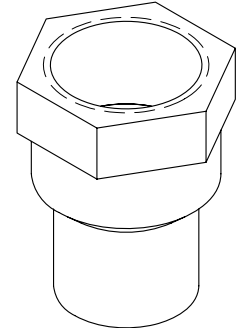


Sales No.
009993-45
RELIABILITY BUILT IN

Job Name:

Architect/Engineer Approval:

Notes:



Product Description:
 1/2 NPT Female Adapter
 For 1/2" Copper Tubing

Drawn:
 DHL

Approved
 JHB

Checked
 MAV

Scale:
 1:1

Date:
 7/24/07