



T&S BRASS AND BRONZE WORKS, INC.
 2 SADDLEBACK COVE / P.O. BOX 1088 / TRAVELERS REST, SC 29690
 PHONE 800-476-4103 FAX 864- 834-3518



Sales No.

OOLL

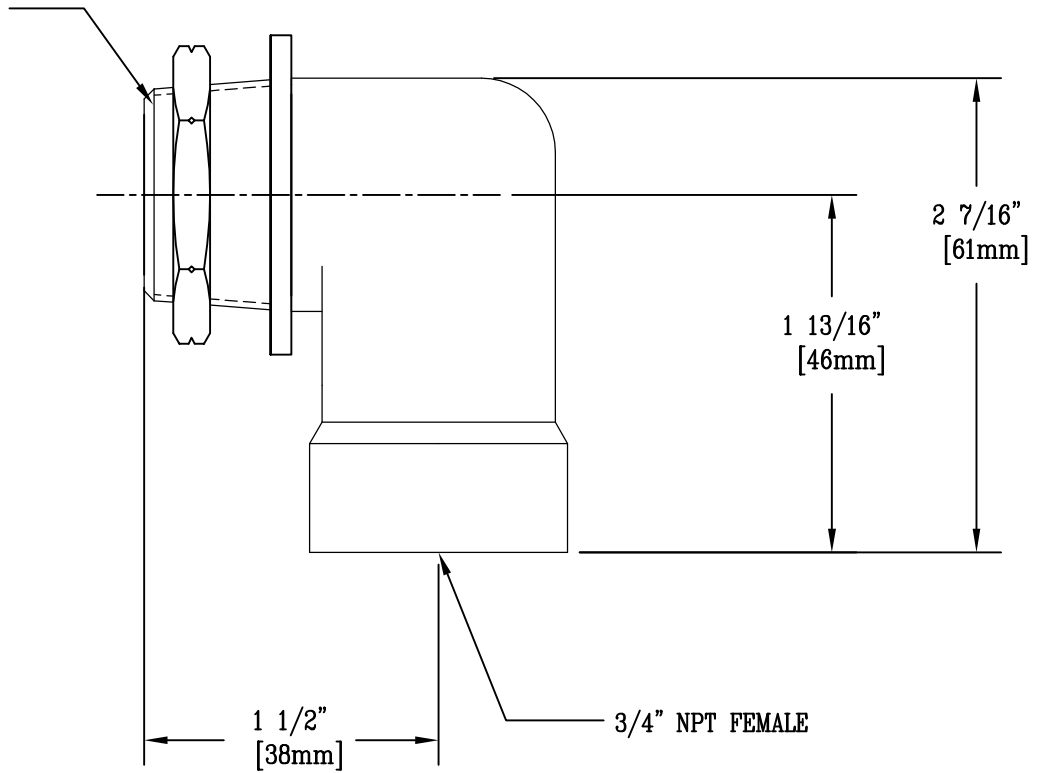
Item No.:

Job Name:

Architect/Engineer Approval:

Notes:

3/4" NPT MALE



3/4" NPT FEMALE

Product Description:

Drawn:

Checked

Scale:

LEL

JKD

1 : 1

"LL" FLANGES FOR USE w/ BIG-FLO FAUCETS

Approved

Date:

MVW

9/11/02