



T&S BRASS AND BRONZE WORKS, INC.
 2 SADDLEBACK COVE / P.O. BOX 1088 / TRAVELERS REST, SC 29690
 PHONE 800-476-4103 - FAX 864- 834-3518



Sales No.

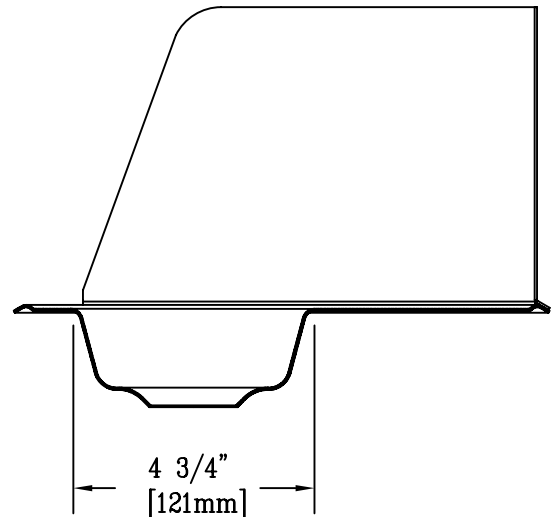
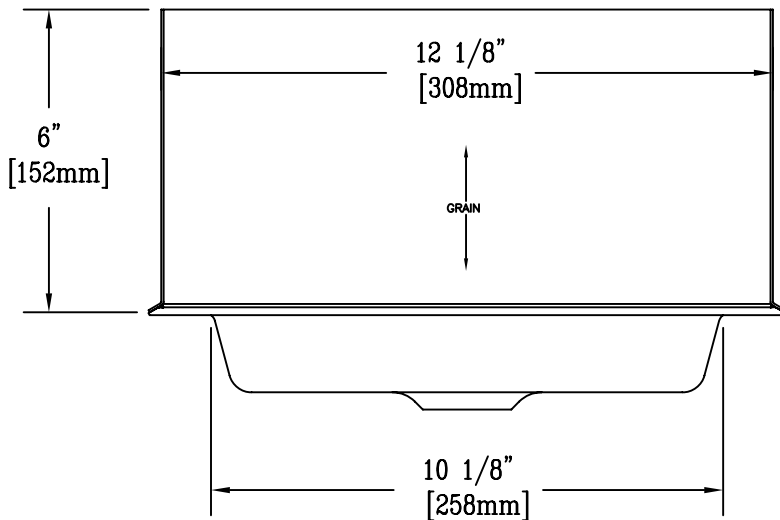
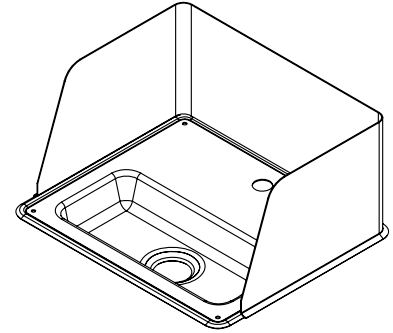
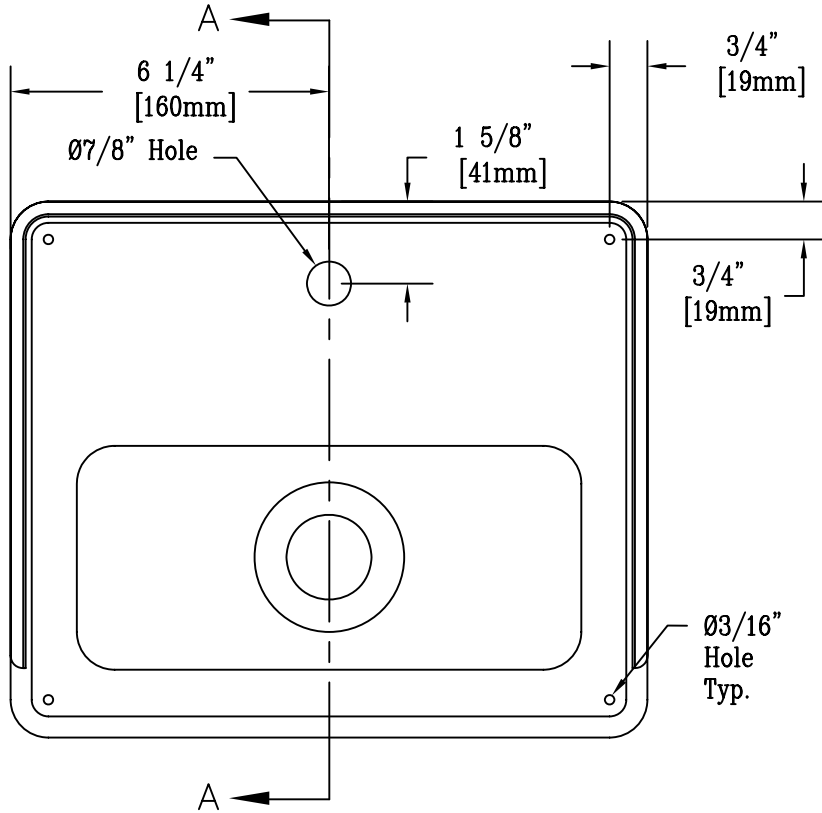
010124-45

**RELIABILITY
 BUILT IN**

Job Name:

Architect/Engineer Approval:

Notes:



Product Description:

Drip Pan Assembly (Stainless Steel)

Drawn:

DHL

Approved

JHB

Checked

MAV

Scale:

1:4

Date:

12/08/08