



T&S BRASS AND BRONZE WORKS, INC.

2 Saddleback Cove / P.O. Box 1088
Travelers Rest, SC 29690



REG. #A2601
ISO #9001

Model No.

010251-40

Item No.

Travelers Rest, SC: 800-476-4103 Simi Valley, CA: 800-423-0150 Fax: 864-834-3518 www.tsbrass.com

This Space for Architect/Engineer Approval

Job Name _____ Date _____

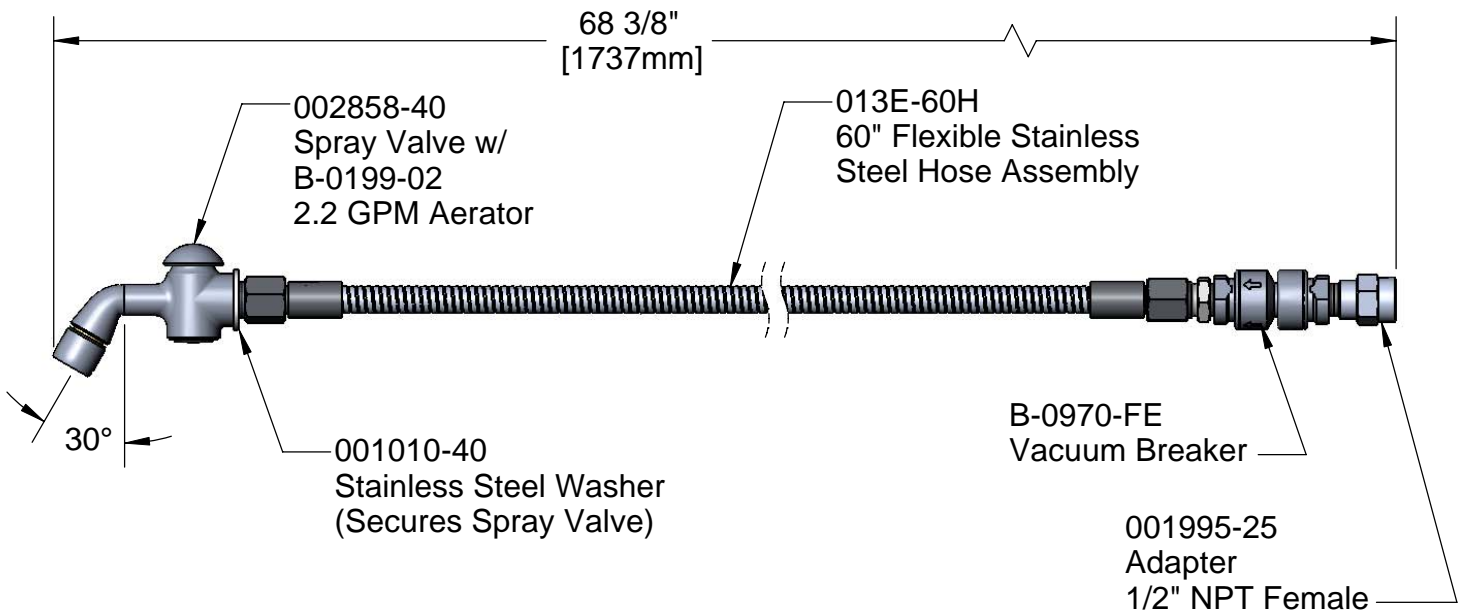
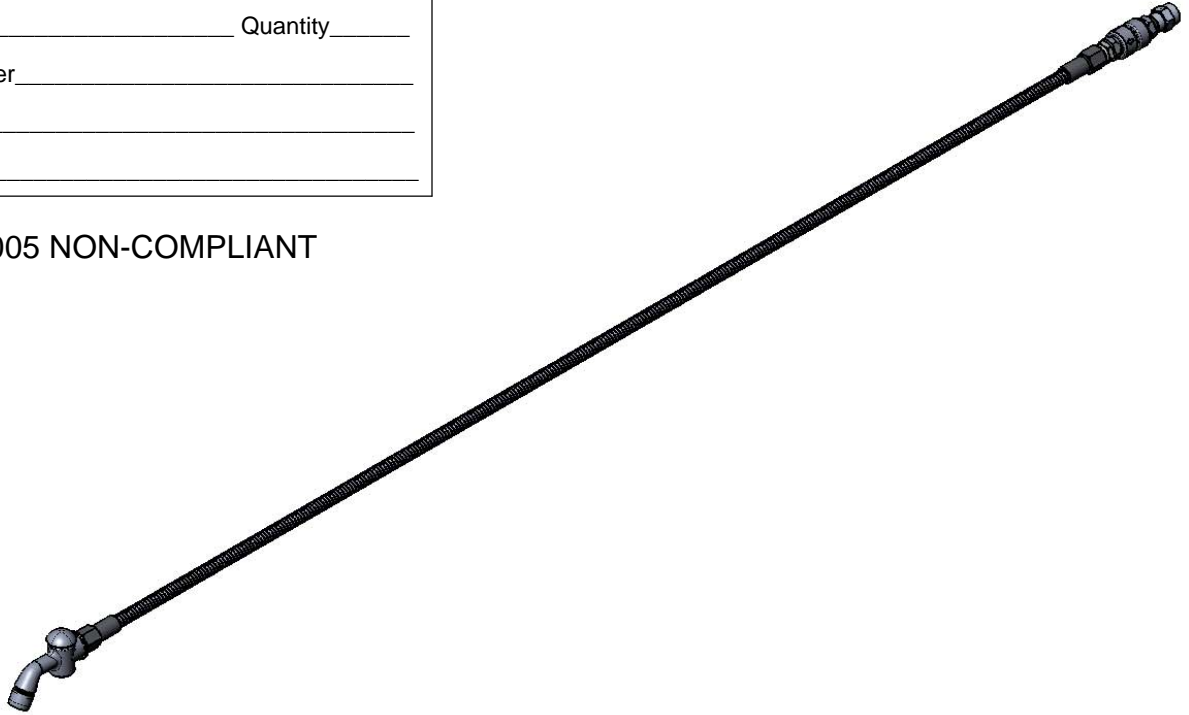
Model Specified _____ Quantity _____

Customer/Wholesaler _____

Contractor _____

Architect/Engineer _____

EPAAct2005 NON-COMPLIANT



Product Specifications:

Spray Valve w/ 2.2 GPM Aerator Outlet & 60" Flexible
Stainless Steel Hose Assembly

Drawn KJG	Checked JRM	Approved JHB
Scale: 1:2		Date: 10/13/08



T&S BRASS AND BRONZE WORKS, INC.

2 Saddleback Cove / P.O. Box 1088
Travelers Rest, SC 29690



REG. #A2601
ISO #9001

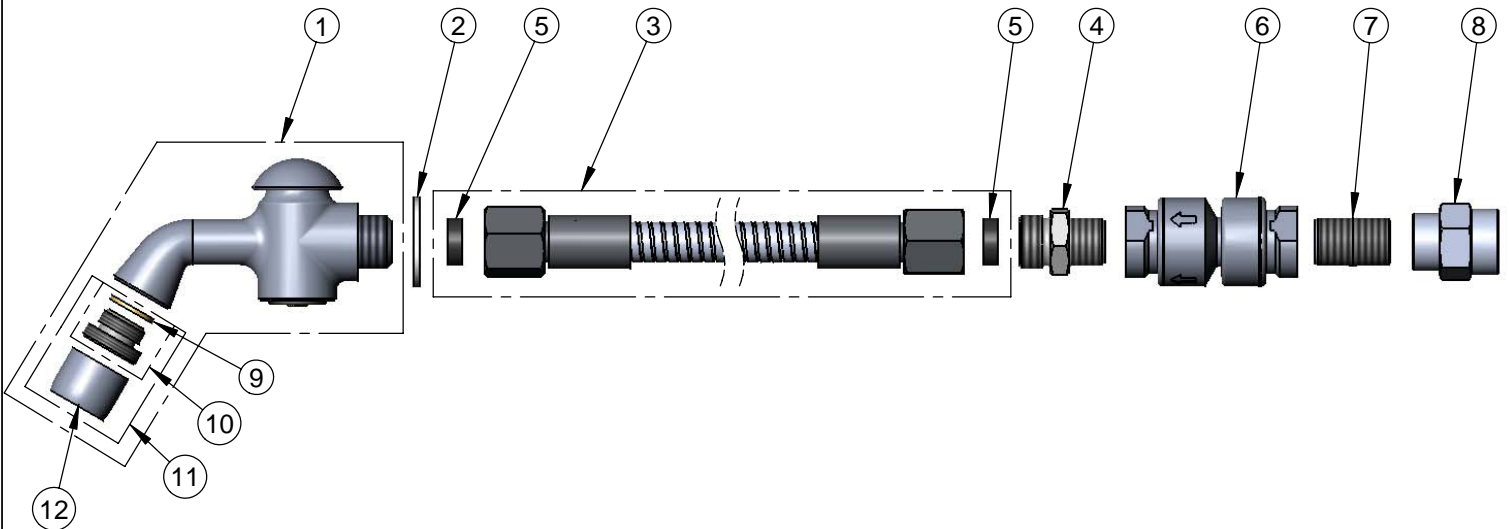
Model No.

010251-40

Item No.

Travelers Rest, SC: 800-476-4103 Simi Valley, CA: 800-423-0150 Fax: 864-834-3518 www.tsbrass.com

ITEM NO.	SALES NO.	DESCRIPTION
1	002858-40	Spray Valve Assembly w/ 2.2 GPM Aerator
2	001010-40	Washer, Stainless Steel
3	013E-60H	60" Flex Stainless Steel Hose
4	000545-25	Adapter, 3/8" NPT x 3/4"-14 UNS
5	010476-45	#27 Washer
6	B-0970-FE	B-0970 FE Vacuum Breaker
7	002535-25	3/8" Close Nipple
8	001995-25	1/2" NPT x 3/8" NPT Adapter
9	001043-45	Washer
10	044A	3/8" to Aerator Adapter
11	B-0199-02	2.2 Female Aerator, Adapter & Washer
12	B-0199-01	2.2 GPM Aerator, Female



Product Specifications:

Spray Valve w/ 2.2 GPM Aerator Outlet & 60" Flexible Stainless Steel Hose Assembly

Drawn KJG	Checked JRM	Approved JHB
Scale: NTS		Date: 10/13/08