



T&S BRASS AND BRONZE WORKS, INC.  
 2 SADDLEBACK COVE / P.O. BOX 1088 / TRAVELERS REST, SC 29690  
 PHONE 800-476-4103 FAX 864-834-3518



Model No.

011916-40

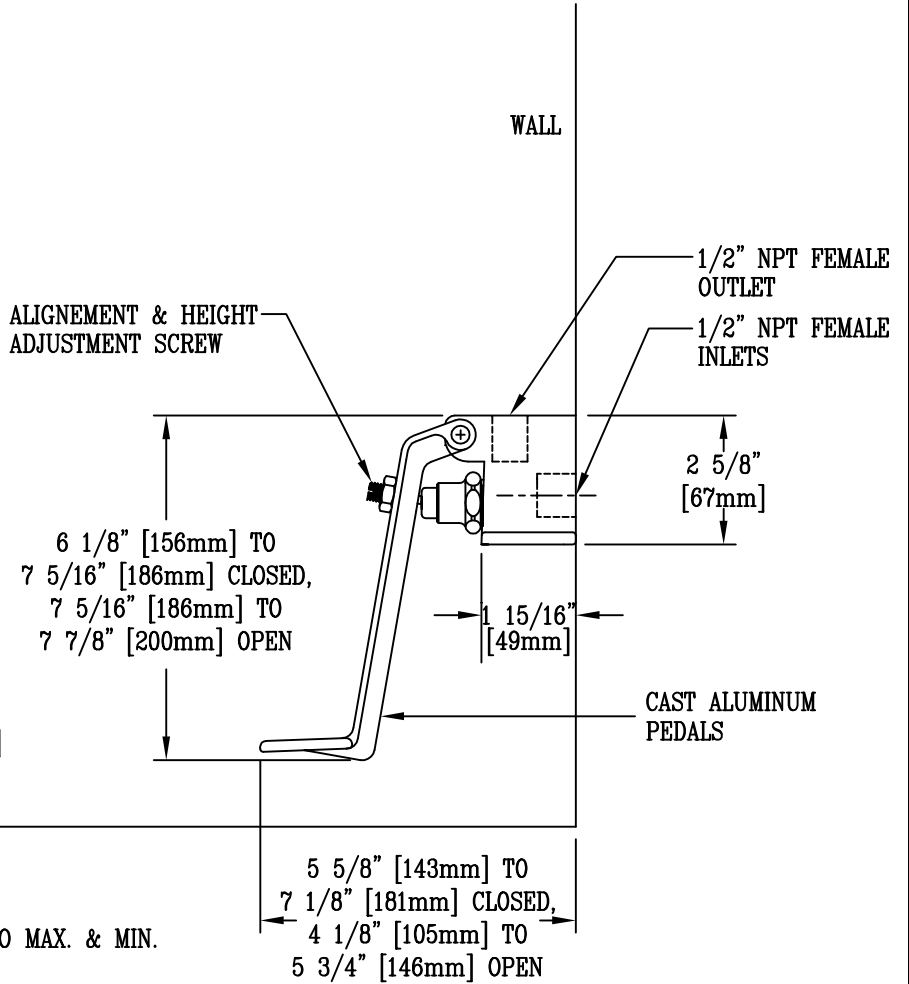
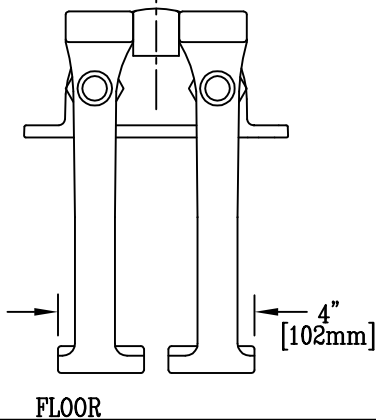
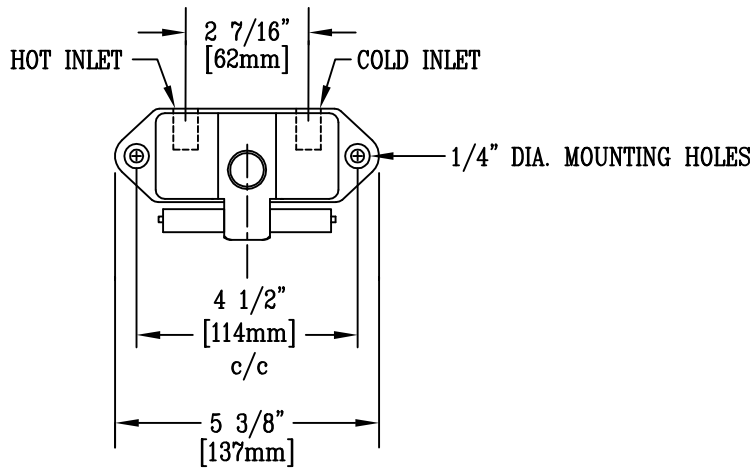
Item No.:

Job Name:

Architect/Engineer Approval:

Notes:

# DELTA



- PEDAL DIMENSIONS VARY ACCORDING TO MAX. & MIN. SETTINGS OF ADJUSTMENT SCREW.
- FURNISHED WITH MOUNTING SCREWS AND NUTS (2 EACH).

Product Description:

Drawn:

Checked

Scale:

WJS

JRM

1:4

Approved

Date:

JHB

02/03/06

B-0505 DOUBLE PEDAL VALVE FOR DELTA  
(TOP OUTLET)