



**T&S BRASS AND BRONZE WORKS, INC.**  
 2 SADDLEBACK COVE / P.O. BOX 1088 / TRAVELERS REST, SC 29690  
 PHONE 800-476-4103 - FAX 864- 834-3518



Sales No.

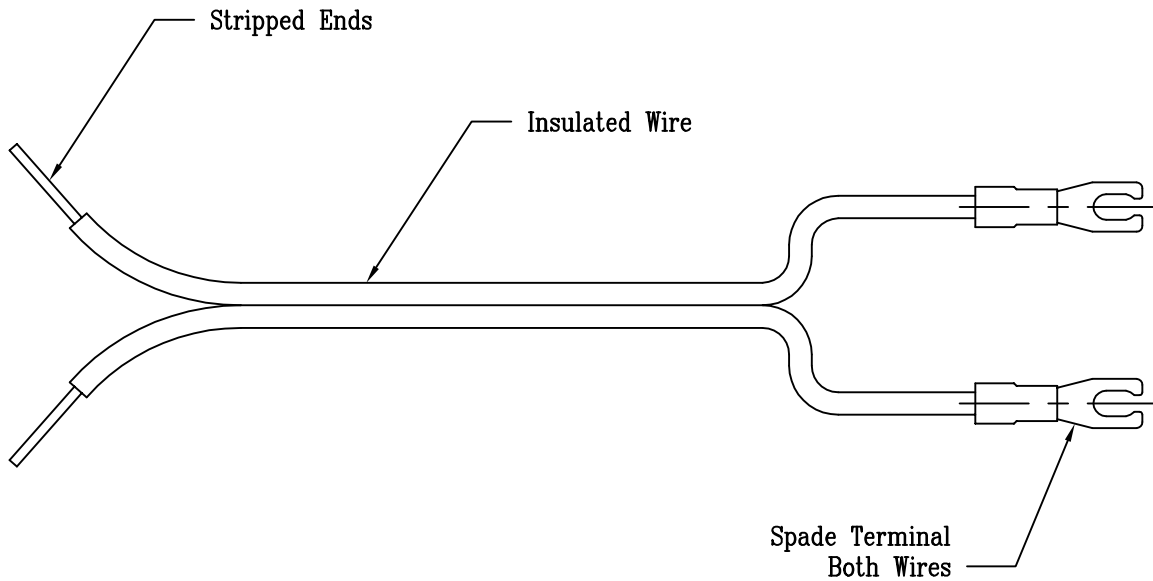
013145-45

**RELIABILITY  
BUILT IN**

Job Name:

Architect/Engineer Approval:

Notes:



Product Description:

Power Cable - Chekpoint

Drawn:

DHL

Checked

MAV

Scale:

NTS

Approved

JHB

Date:

03/19/07