



T&S BRASS AND BRONZE WORKS, INC.
 2 SADDLEBACK COVE / P.O. BOX 1088 / TRAVELERS REST, SC 29690
 PHONE 800-476-4103 FAX 864- 834-3518



Model No.

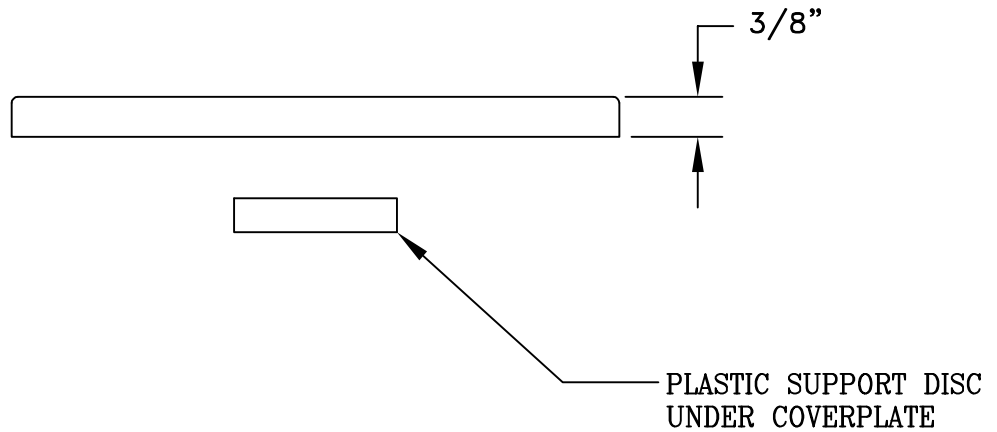
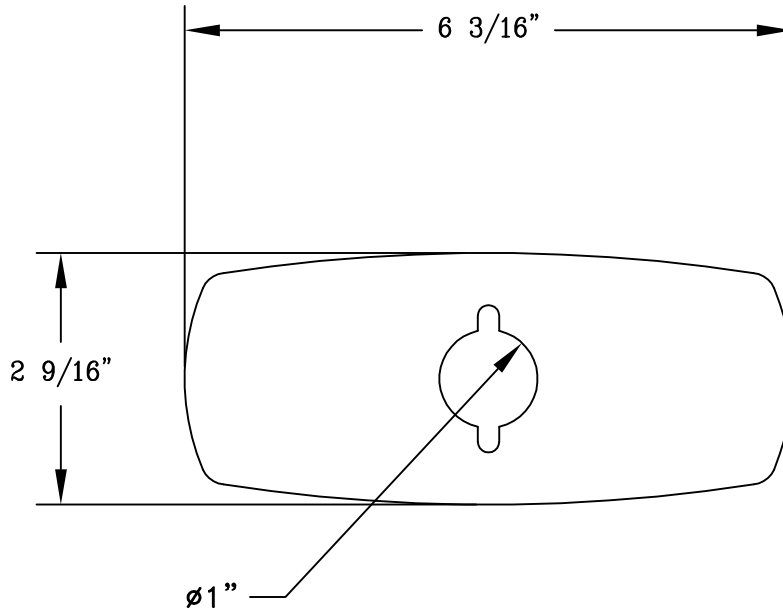
013154-45

Item No.:

Job Name:

Architect/Engineer Approval:

Notes:



Product Description:

4" CHECKPOINT COVER PLATE

Drawn:

WJS

Approved

MVW

Checked

JKD

Scale:

NTS

Date:

11-16-01