



T&S BRASS AND BRONZE WORKS, INC.
 2 SADDLEBACK COVE / P.O. BOX 1088 / TRAVELERS REST, SC 29690
 PHONE 800-476-4103 - FAX 864- 834-3518



Sales No.

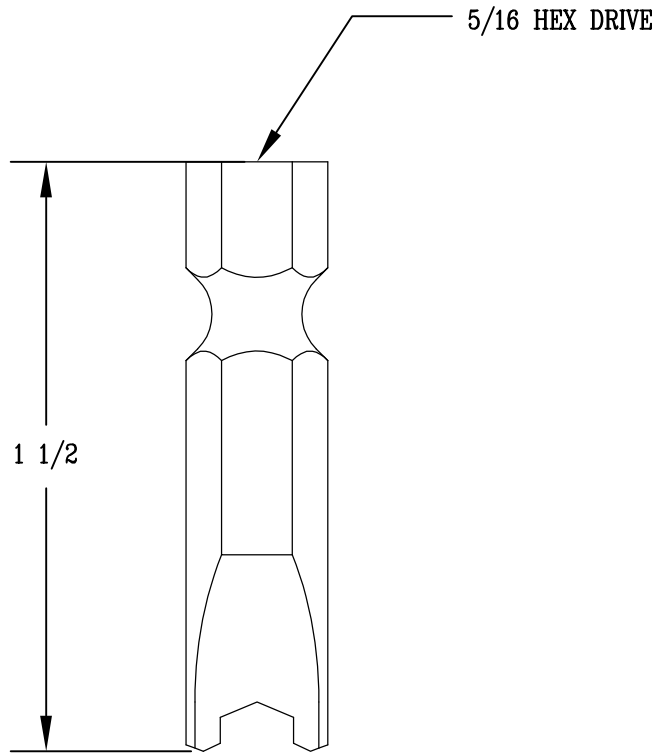
013968-45

RELIABILITY
 BUILT IN

Job Name:

Architect/Engineer Approval:

Notes:



QUANTITY: TWO (2)

Product Description:

SPANNER BIT FOR 1/4" SCREW

Drawn:

LEL

Approved

MVW

Checked

JKD

Scale:

2:1

Date:

10/11/02