

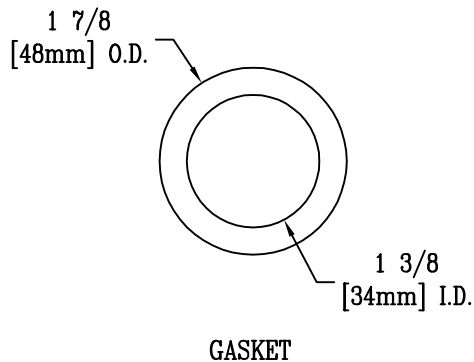
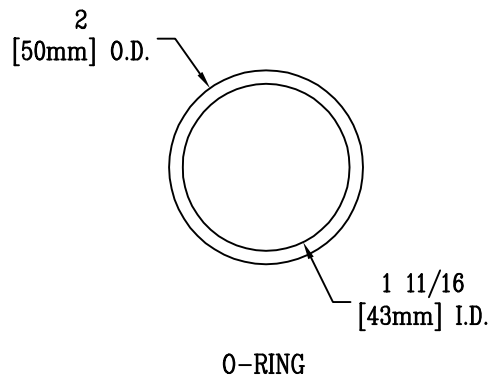
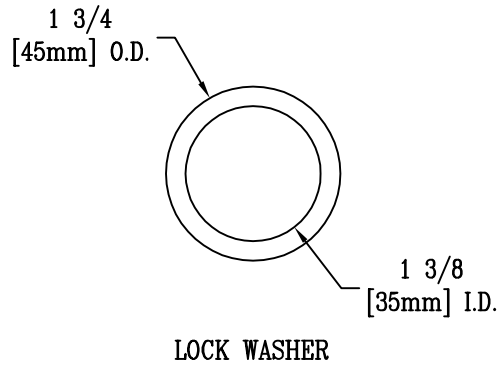
T&S BRASS AND BRONZE WORKS, INC.
 2 SADDLEBACK COVE / P.O. BOX 1088 / TRAVELERS REST, SC 29690
 PHONE 800-476-4103 FAX 864- 834-3518



Model No.
 014169-45
 Item No.:

Job Name: Architect/Engineer Approval:

Notes:



MODELS USED IN:
 B-2720 & B-2721

Product Description: B-2720 MOUNTING KIT	Drawn: TEH	Checked WJS	Scale: 1 : 2
	Approved MVW		Date: 4/12/04