



T&S BRASS AND BRONZE WORKS, INC.
 2 SADDLEBACK COVE / P.O. BOX 1088 / TRAVELERS REST, SC 29690
 PHONE 800-476-4103 FAX 864- 834-3518



Model No.

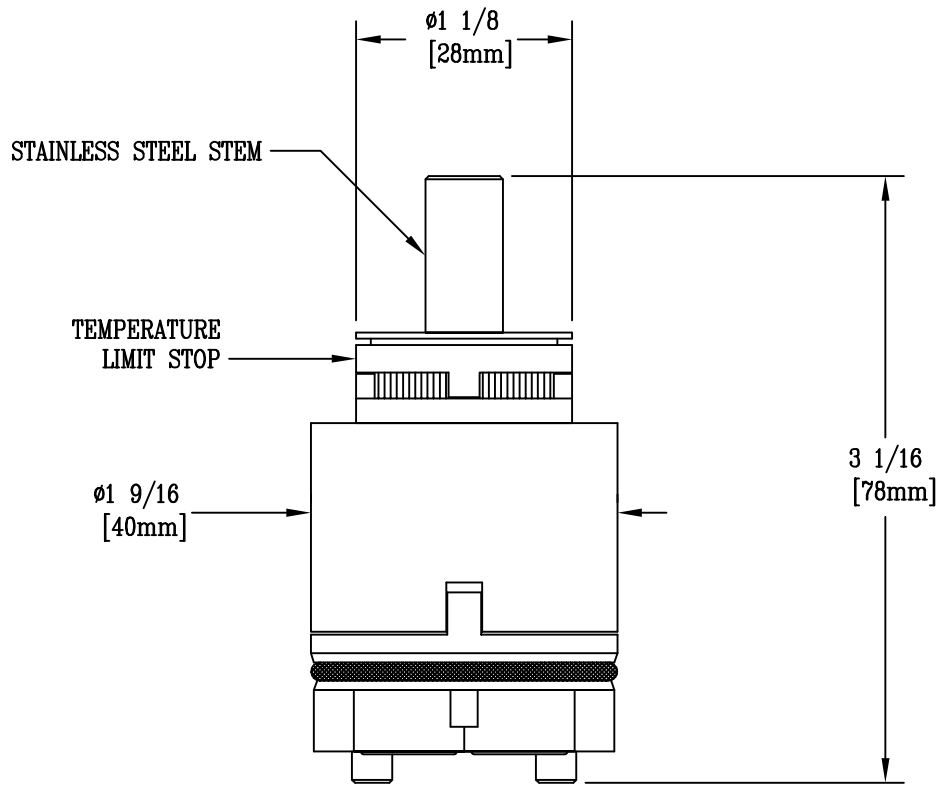
014171-45

Item No.:

Job Name:

Architect/Engineer Approval:

Notes:



MODELS USED IN:
 B-2720 & B-2721

Product Description:

B-2720, B-2721 SINGLE LEVER CARTRIDGE

Drawn:

TEH

Approved

MVW

Checked

WJS

Scale:

1 : 1

Date:

4/12/04