



**T&S BRASS AND BRONZE WORKS, INC.**

2 SADDLEBACK COVE / P.O. BOX 1088 / TRAVELERS REST, SC 29690  
PHONE 800-476-4103 FAX 864-834-3518



REG. #A2601  
ISO #9001

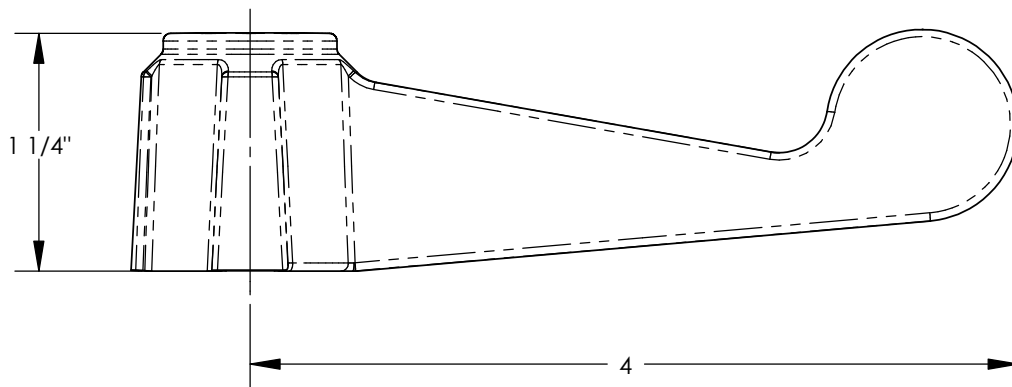
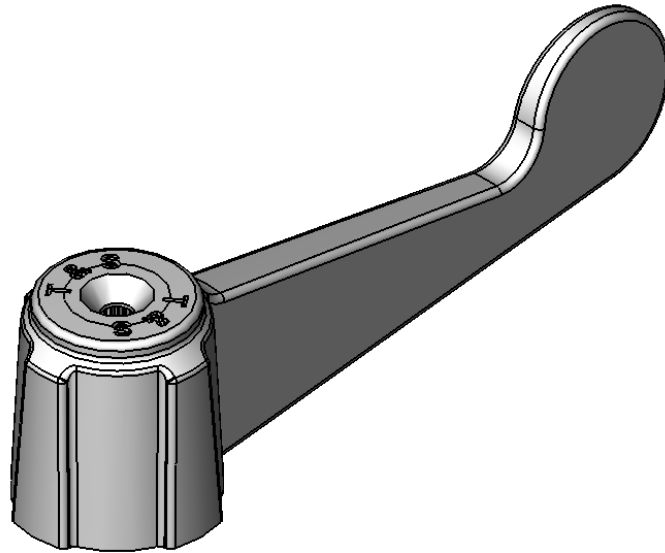
Model No. **015184-45**

Item No.

Job Name:

Architect/Engineer Approval:

Notes:



Product Description:  
**WRIST ACTION HANDLE  
EU & UK**

Drawn:  
LEL

Checked:  
JKD

Scale:  
1:1

Approved:  
MVW

Date:  
9/28/2004