



T&S BRASS AND BRONZE WORKS, INC.  
 2 SADDLEBACK COVE / P.O. BOX 1088 / TRAVELERS REST, SC 29690  
 PHONE 800-476-4103 - FAX 864- 834-3518



REG. #A2601  
 ISO #9001

Sales No.

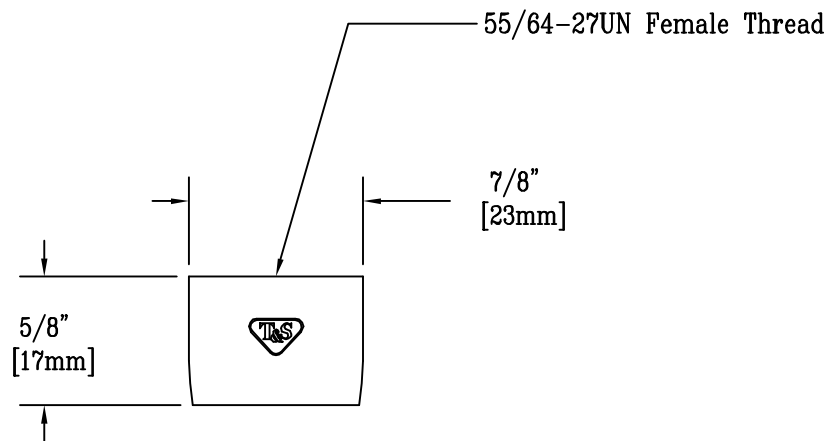
016086-45

RELIABILITY  
 BUILT IN

Job Name:

Architect/Engineer Approval:

Notes:



Product Description:  
 0.5 GPM Non-Aerated Spray Outlet

Drawn:

DHL

Checked

MAV

Scale:

1:1

Approved

JHB

Date:

11/28/07