



T&S BRASS AND BRONZE WORKS, INC.

2 Saddleback Cove / P.O. Box 1088
Travelers Rest, SC 29690



REG. #A2601
ISO #9001

Model No.

016320-45

Item No.

Travelers Rest, SC: 800-476-4103 Simi Valley, CA: 800-423-0150 Fax: 864-834-3518 www.tsbrass.com

This Space for Architect/Engineer Approval

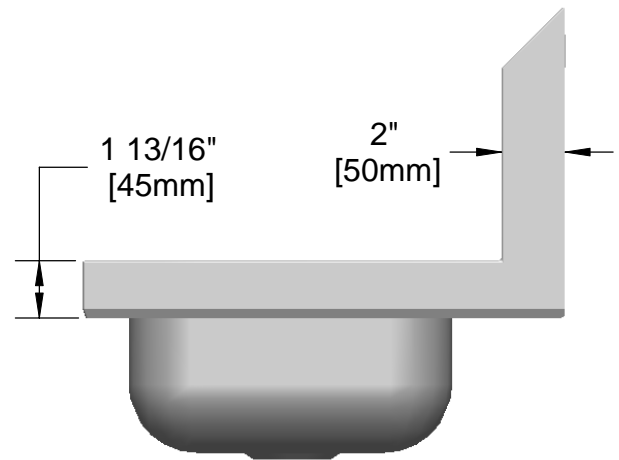
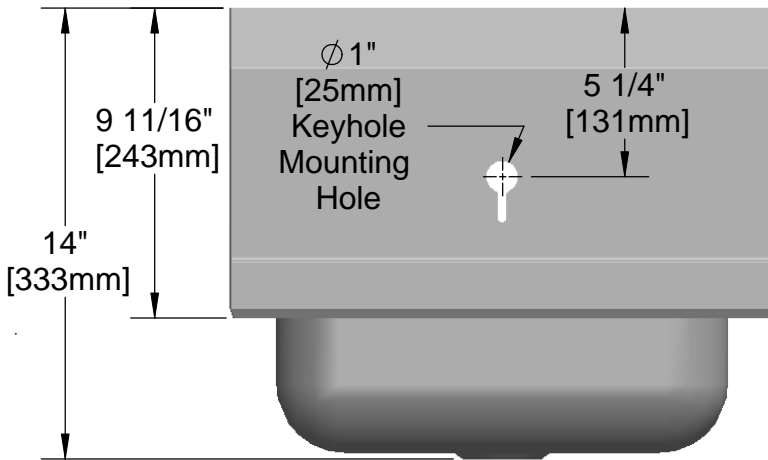
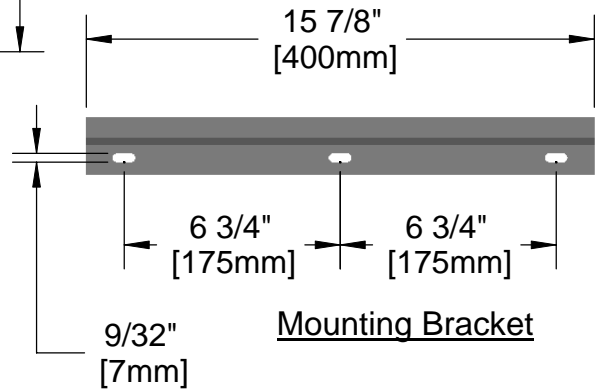
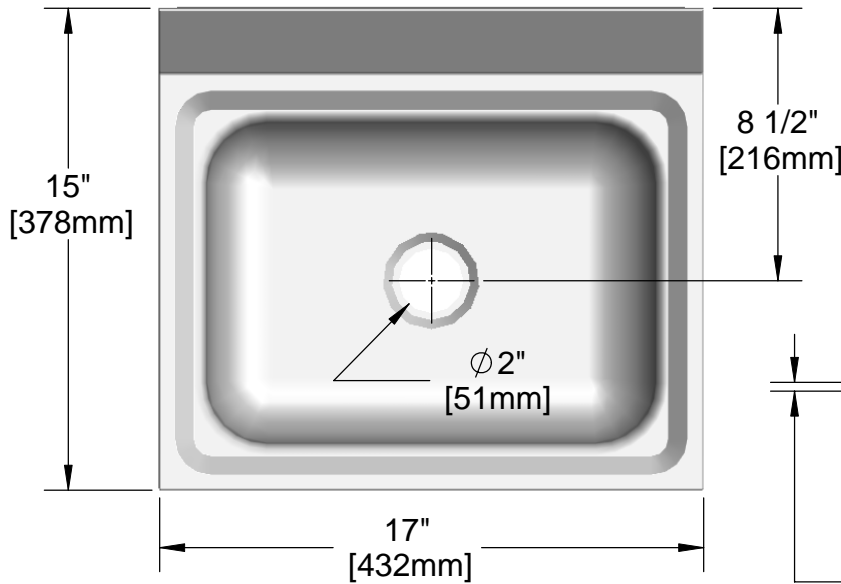
Job Name _____ Date _____

Model Specified _____ Quantity _____

Customer/Wholesaler _____

Contractor _____

Architect/Engineer _____



Product Specifications:

Hand Wash Sink w/ Backsplash and Mounting Bracket
NSF Approved, Stainless Steel, 15"W x 17"L x 14"H,
One Faucet "Keyhole" Mounting Hole, 2" Drain Hole

Drawn GEF	Checked JRM	Approved JHB
Scale: NTS		Date: 07/15/08