



# T&S BRASS AND BRONZE WORKS, INC.

2 Saddleback Cove / P.O. Box 1088  
Travelers Rest, SC 29690



REG. #A2601  
ISO #9001

Model No.

**017441-45**

Item No.

Travelers Rest, SC: 800-476-4103 Simi Valley, CA: 800-423-0150 Fax: 864-834-3518 www.tsbrass.com

This Space for Architect/Engineer Approval

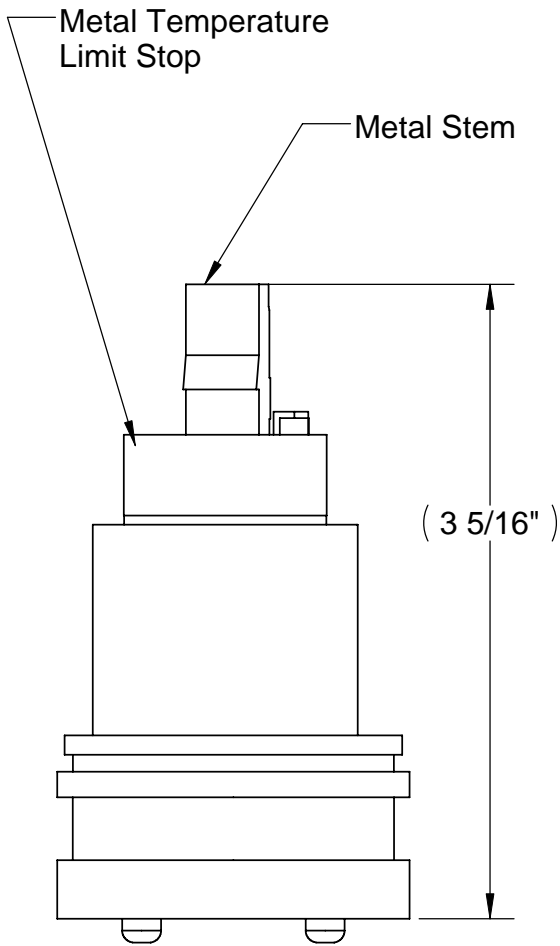
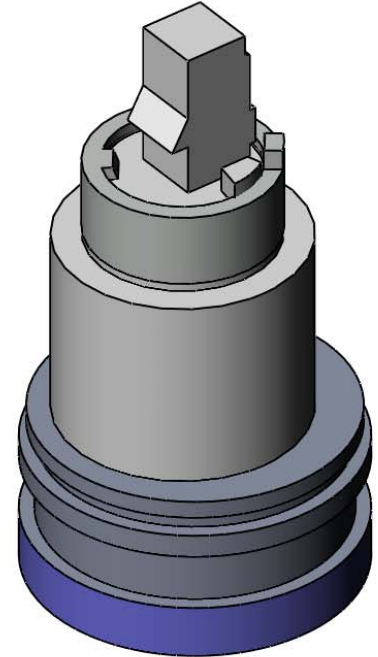
Job Name \_\_\_\_\_ Date \_\_\_\_\_

Model Specified \_\_\_\_\_ Quantity \_\_\_\_\_

Customer/Wholesaler \_\_\_\_\_

Contractor \_\_\_\_\_

Architect/Engineer \_\_\_\_\_



Certified to and ASME A112.18.1/ CSA B125.1 Latest Edition

Product Specifications:

**Ceramic Cartridge  
for Pressure Balance Valve,  
B-3204**

Drawn  
**ARH**

Checked  
**DMH**

Approved  
**JHB**

Scale:

**1:1**

Date:

**11/05/08**