



T&S BRASS AND BRONZE WORKS, INC.

2 Saddleback Cove / P.O. Box 1088
Travelers Rest, SC 29690



REG. #A2601
ISO #9001

Model No.

025A

Item No.

Travelers Rest, SC: 800-476-4103 Simi Valley, CA: 800-423-0150 Fax: 864-834-3518 www.tsbrass.com

This Space for Architect/Engineer Approval

Job Name _____ Date _____

Model Specified _____ Quantity _____

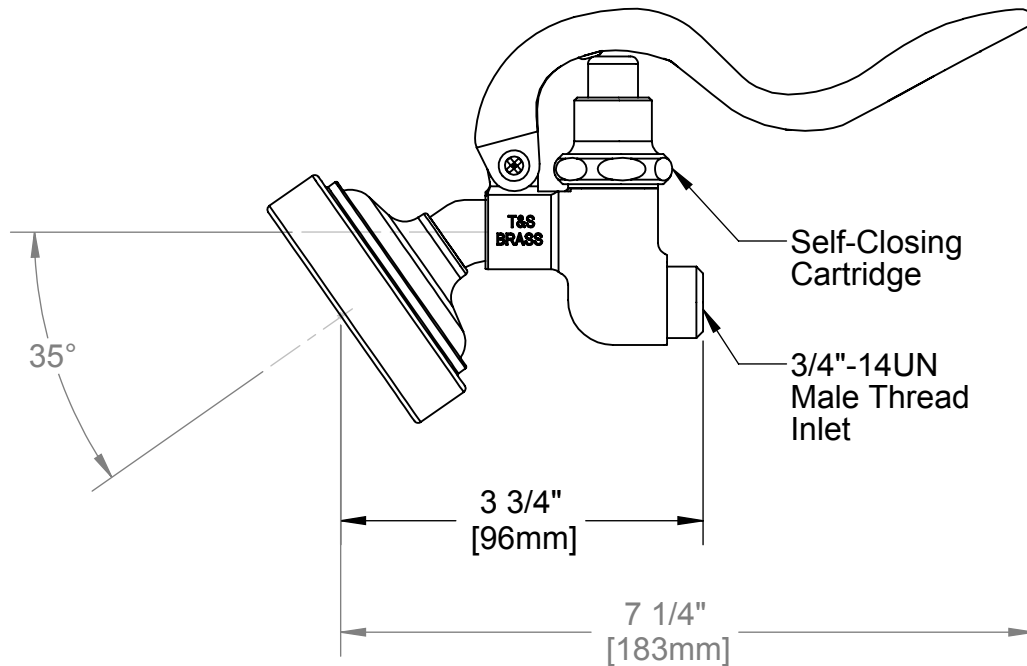
Customer/Wholesaler _____

Contractor _____

Architect/Engineer _____



EPAct 2005 Compliant



Product Specifications:

**Self-Closing Pre-Rinse Spray Valve
w/ Rubber Bumper & 1.42 GPM Flow Control
Spray Face**

Drawn

DHL

Checked

JRM

Approved

JHB

Scale:

1:2

Date:

01/22/08



T&S BRASS AND BRONZE WORKS, INC.

2 Saddleback Cove / P.O. Box 1088
Travelers Rest, SC 29690



REG. #A2601
ISO #9001

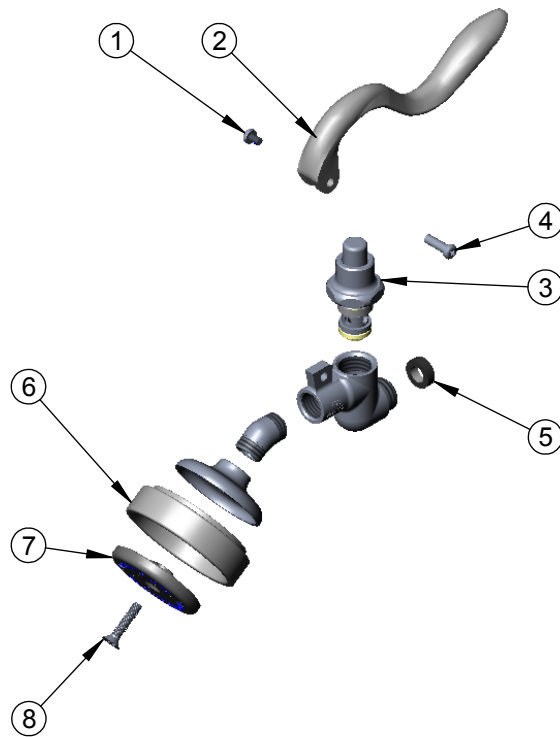
Model No.

025A

Item No.

Travelers Rest, SC: 800-476-4103 Simi Valley, CA: 800-423-0150 Fax: 864-834-3518 www.tsbrass.com

ITEM NO.	SALES NO.	DESCRIPTION
1	003199-45	Handle Screw, Spray Valve
2	001120-45	Spray Valve Handle
3	002856-40	Bonnet Asm, Spray Valve
4	003198-45	Handle Nut, Spray Valve
5	010476-45	#27 Washer
6	007861-45	Sprayhead Ring, B-0107
7	009845-45	Spray Face, B-0107
8	000913-45	Screw



Product Specifications:

Self-Closing Pre-Rinse Spray Valve
w/ Rubber Bumper & 1.42 GPM Flow Control
Spray Face

Drawn

DHL

Scale:

NTS

Checked

JRM

Approved

JHB

Date:

01/22/08