

**T&S BRASS AND BRONZE WORKS, INC.**

2 SADDLEBACK COVE / P.O. BOX 1088 / TRAVELERS REST, SC 29690

PHONE 800-476-4103

FAX 864- 834-3518



REG.#A2601  
ISO #9002

Model No.

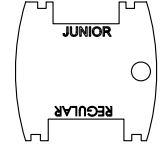
060X-LAM-VR

Item No.:

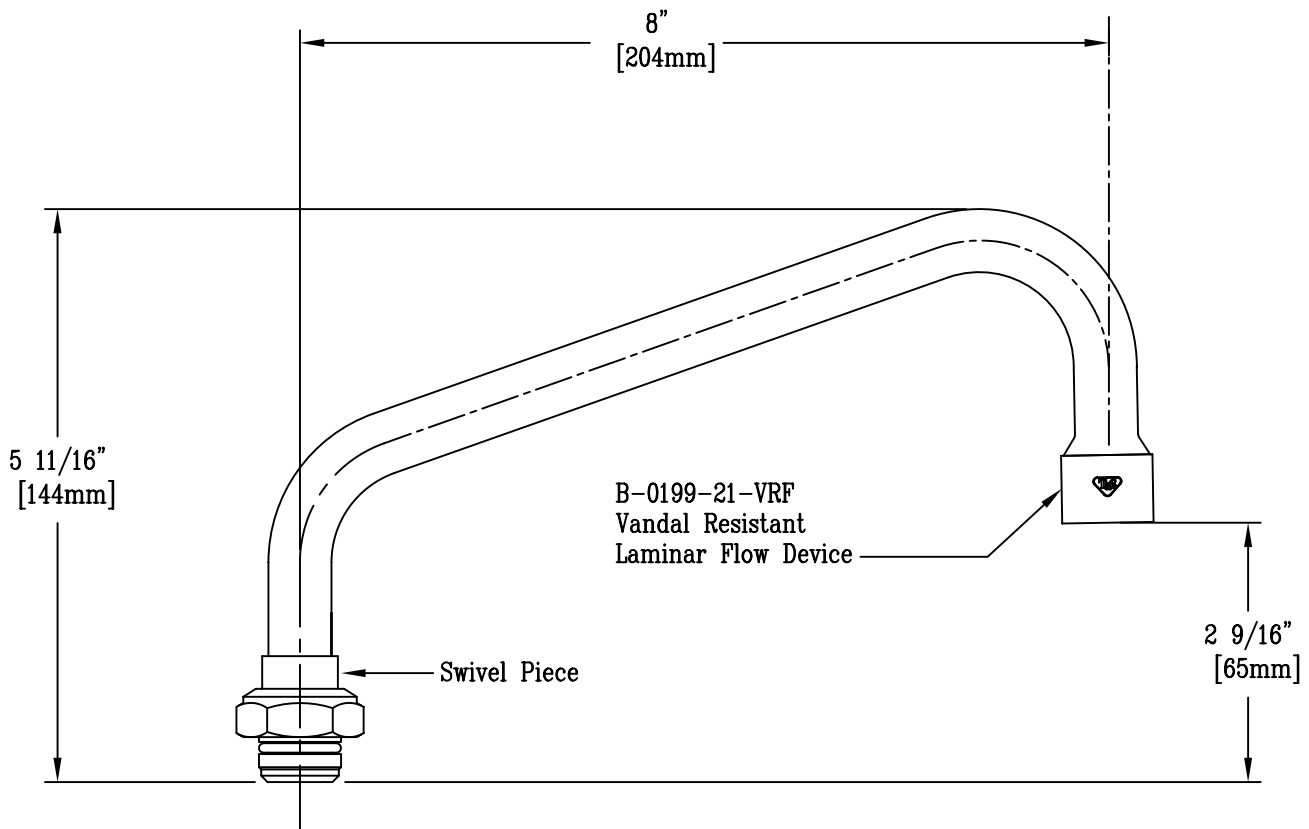
Job Name:

Architect/Engineer Approval:

Notes:



Laminar Device  
Vandal Resistant  
Key Included  
PN# Q015425-45



Product Description:  
060X 8" Swing Nozzle w/ B-0199-21-VRF  
Vandal Resistant Laminar Flow Device

Drawn: DHL	Checked JRM	Scale: 1:2
Approved JHB		Date: 9/28/07