

T&S BRASS AND BRONZE WORKS, INC.
 2 SADDLEBACK COVE / P.O. BOX 1088 / TRAVELERS REST, SC 29690
 PHONE 800-476-4103 - FAX 864- 834-3518



Sales No.

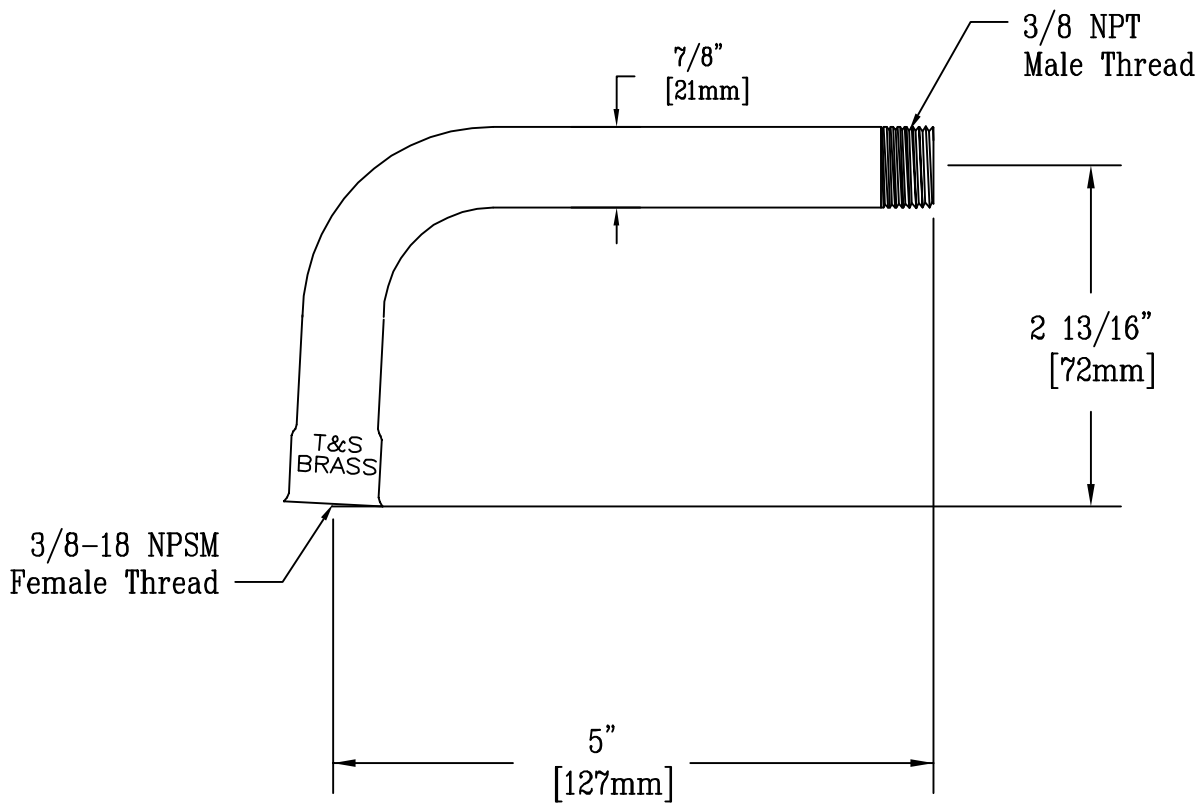
070X

RELIABILITY
BUILT IN

Job Name:

Architect/Engineer Approval:

Notes:



FINISH: POLISH CHROME PLATED

Product Description:

6" VB Nozzle

Drawn:

JHB

Checked

DHL

Scale:

N/A

Approved

JHB

Date:

12/13/07