



**T&S BRASS AND BRONZE WORKS, INC.**  
 2 SADDLEBACK COVE / P.O. BOX 1088 / TRAVELERS REST, SC 29690  
 PHONE 800-476-4103 - FAX 864- 834-3518



Sales No.

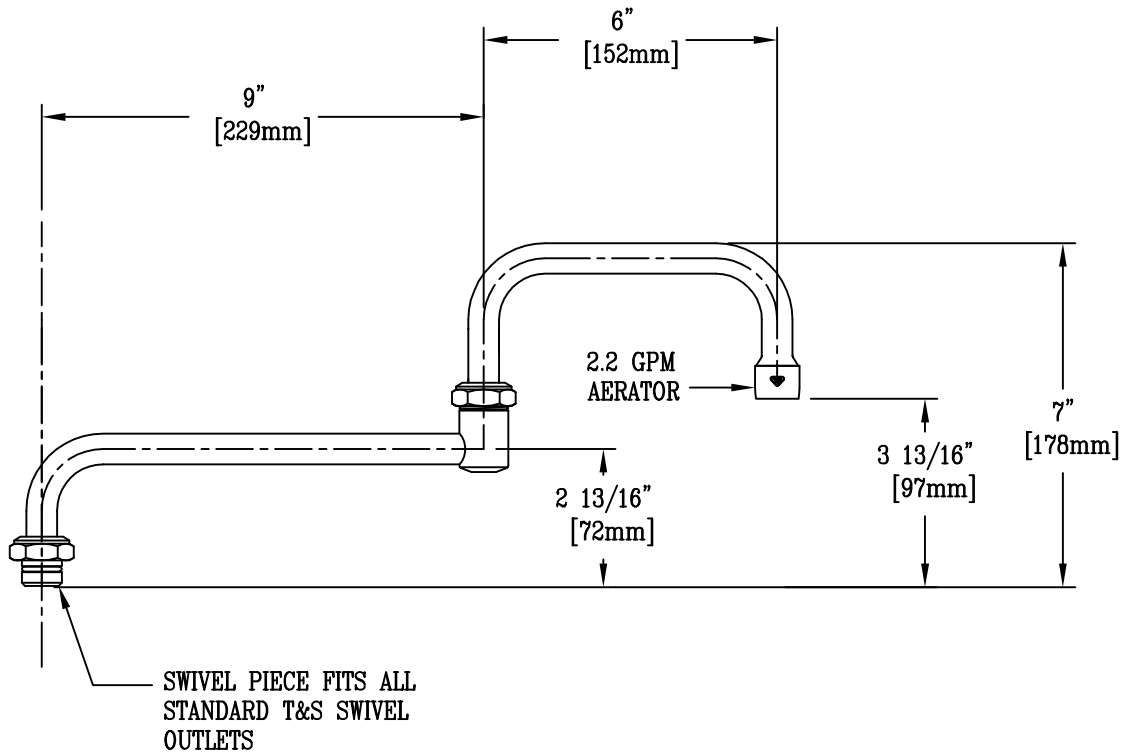
074X

**RELIABILITY  
 BUILT IN**

Job Name:

Architect/Engineer Approval:

Notes:



Product Description:

15" DOUBLE JOINT SWING NOZZLE  
 WITH 2.2 GPM AERATOR

Drawn:

WJS

Approved

JHB

Checked

JRM

Scale:

1 : 4

Date:

02/03/06