

**T&S BRASS AND BRONZE WORKS, INC.**

2 SADDLEBACK COVE / P.O. BOX 1088 / TRAVELERS REST, SC 29690

PHONE 800-476-4103

FAX 864-834-3518



REG. #A2601  
ISO #9001

Model No.

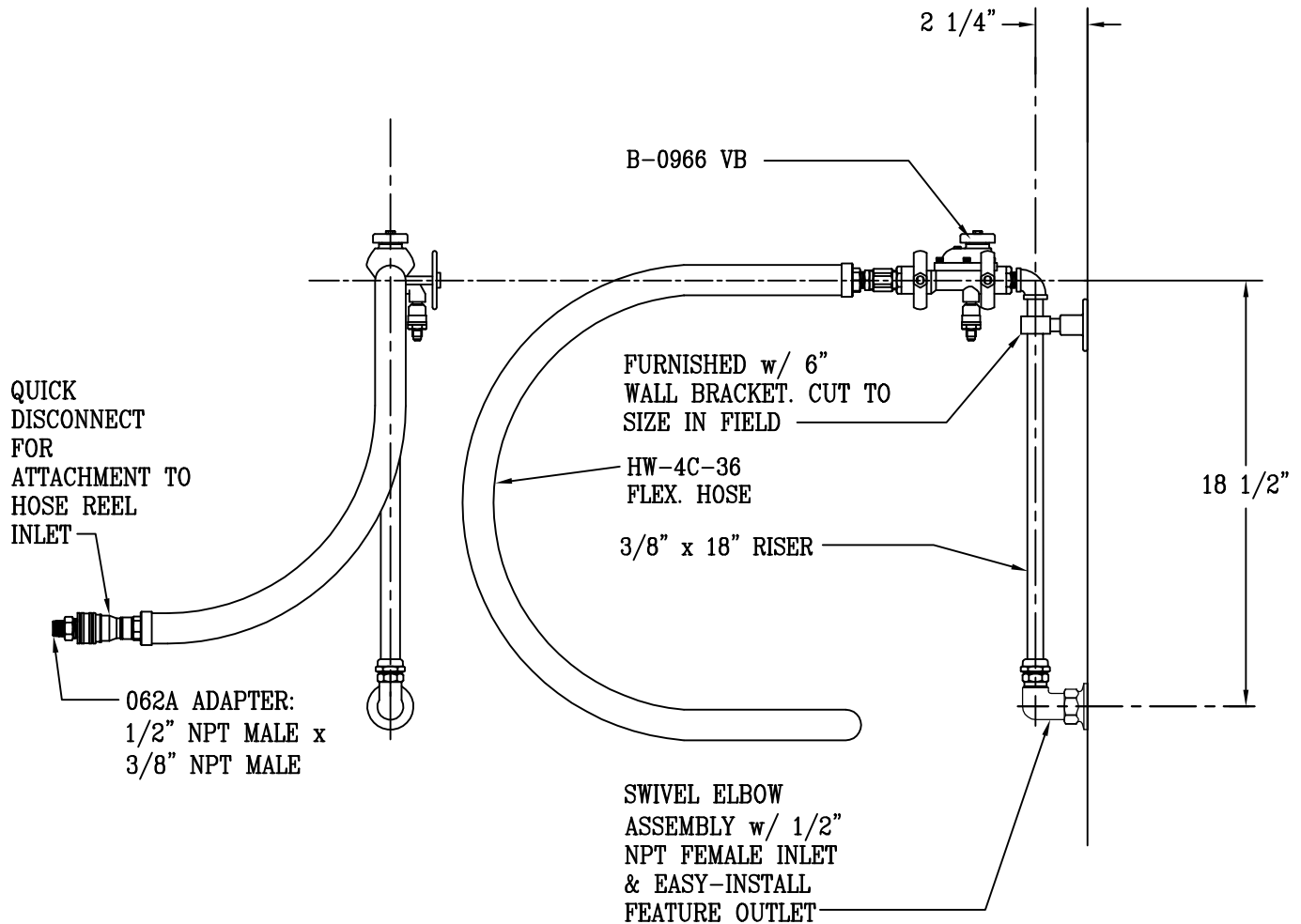
ORK-SK

Item No.:

Job Name:

Architect/Engineer Approval:

Notes:



Product Description:  
1/2" NPT ELBOW, 3/8" x 18" RISER,  
B-0966 VACUUM BREAKER, 1/2" x 36" FLEXIBLE WATER CONNECTOR,  
AND QUICK DISCONNECT

Drawn:

WJS

Checked

JRM

Scale:

1 : 8

Approved

JHB

Date:

01-19-06