



T&S BRASS AND BRONZE WORKS, INC.
 2 SADDLEBACK COVE / P.O. BOX 1088 / TRAVELERS REST, SC 29690
 PHONE 800-476-4103 FAX 864- 834-3518



Model No.

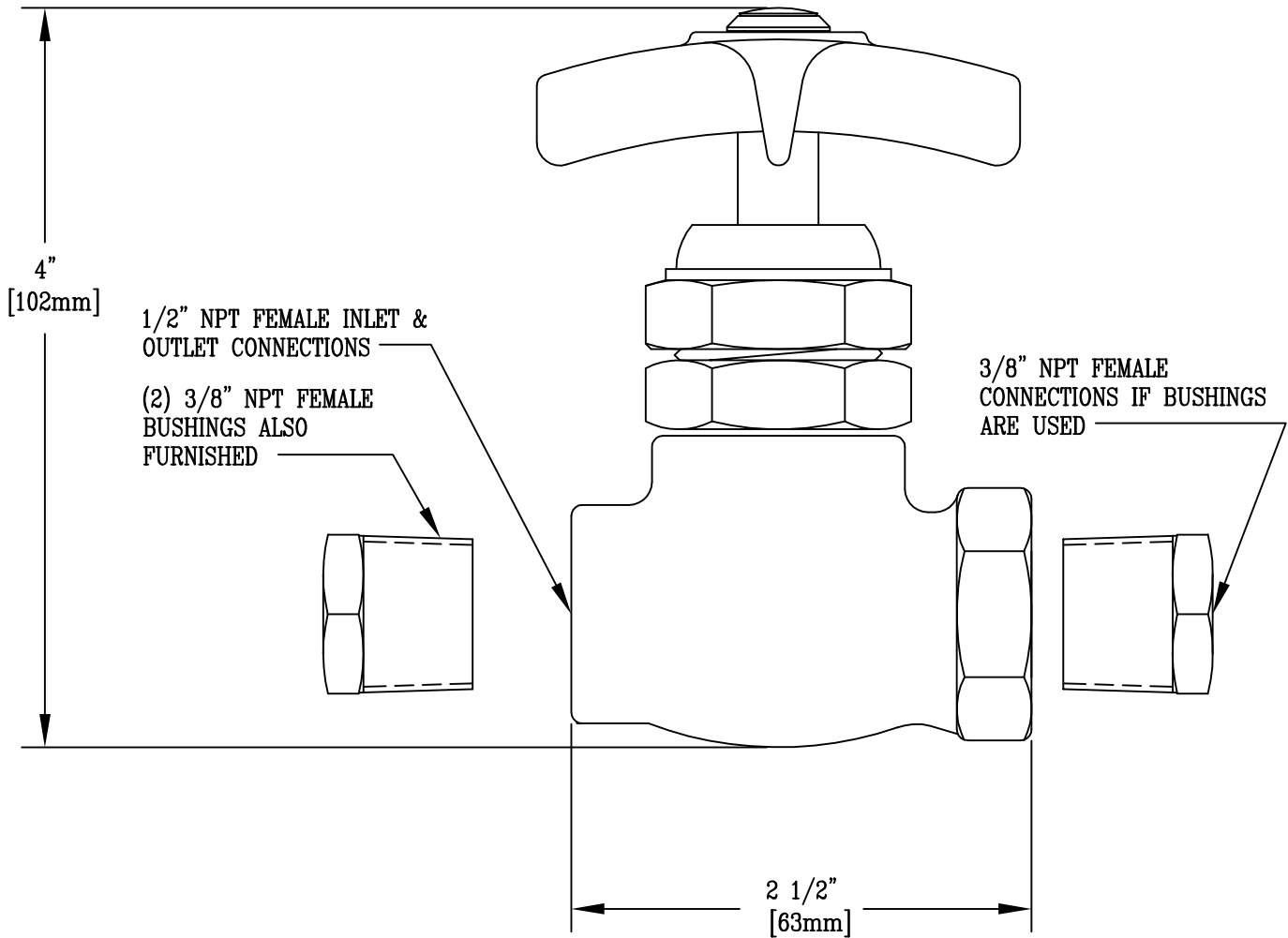
ORK3

Item No.:

Job Name:

Architect/Engineer Approval:

Notes:



Product Description: REEL KLEEN ACCESSORY: 1/2" NPT FEMALE SHUTOFF VALVE w/ LOOSE BUSHINGS FOR OPTIONAL 3/8" NPT FEMALE CONNECTIONS	Drawn:	Checked:	Scale:
	WJS	MVW	1:1
	Approved:	Date:	
	MVW	4/27/99	