

T&S BRASS AND BRONZE WORKS, INC.
 2 SADDLEBACK COVE / P.O. BOX 1088 / TRAVELERS REST, SC 29690
 PHONE 800-476-4103 FAX 864- 834-3518



Model No.

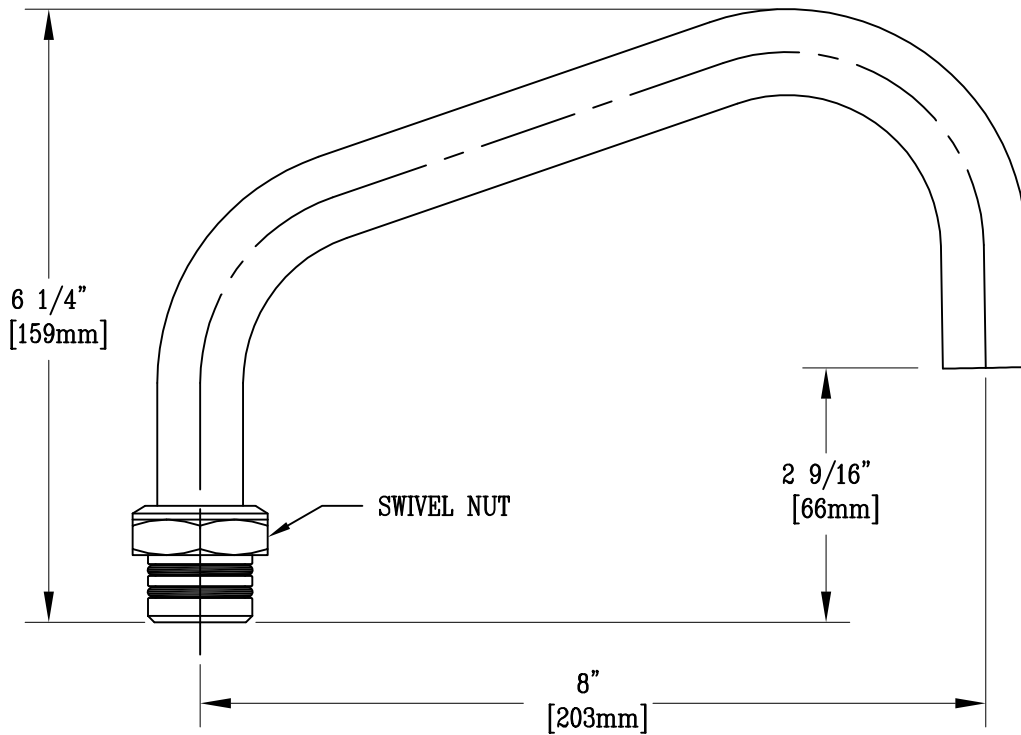
1 1 0 X

Item No.:

Job Name:

Architect/Engineer Approval:

Notes:



Product Description:
 BIG FLO SPOUT
 8" BIG-FLO SWING SPOUT
 FOR USE w/ B-0290 LINE FAUCETS

Drawn:

LEL

Approved

MVW

Checked

JKD

Scale:

1 : 2

Date:

9/27/02