



T&S BRASS AND BRONZE WORKS, INC.  
 2 SADDLEBACK COVE / P.O. BOX 1088 / TRAVELERS REST, SC 29690  
 PHONE 800-476-4103 FAX 864- 834-3518



Sales No.

131XP

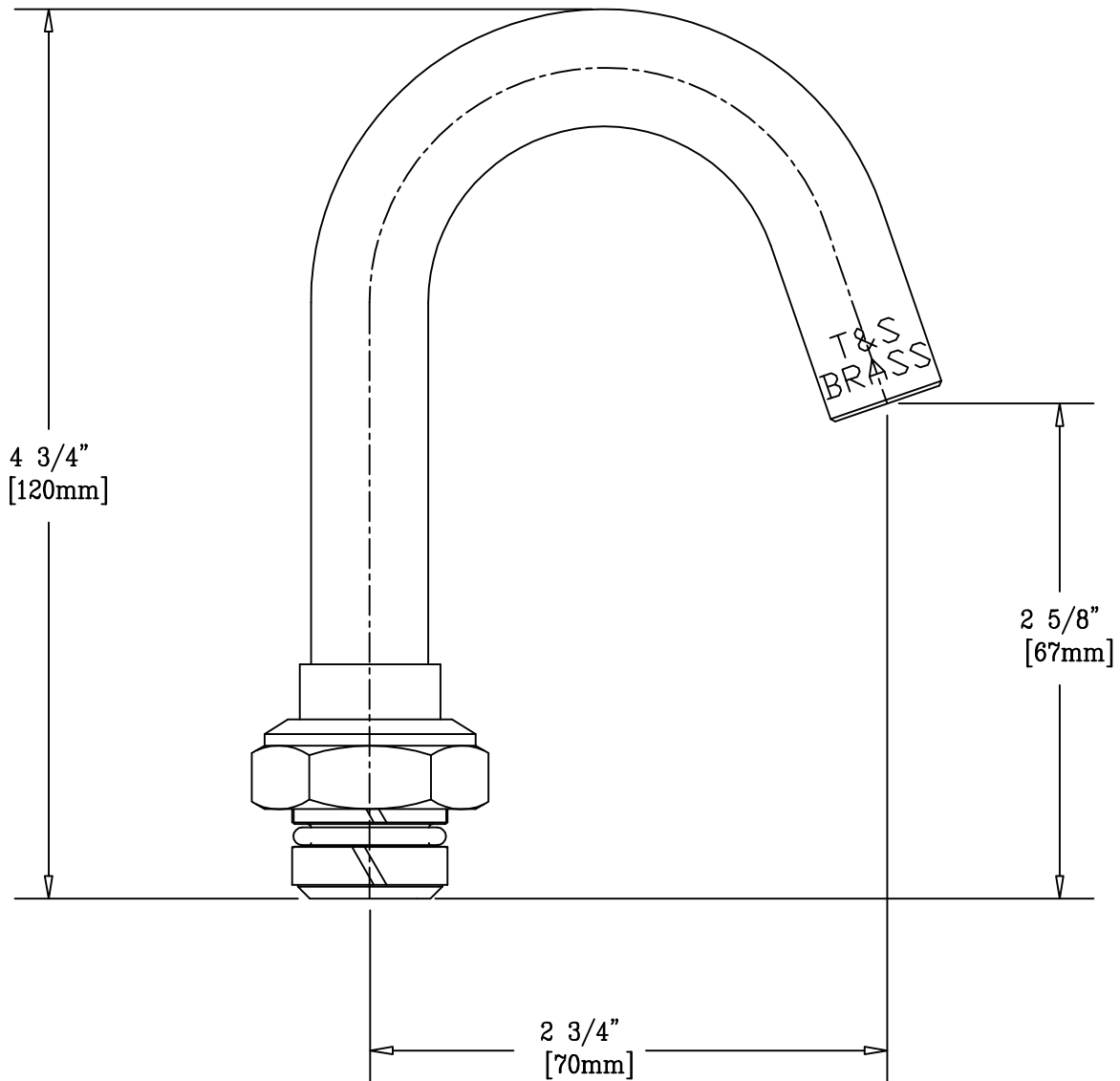
Item No.:

REG.#A2601  
ISO #9002

Job Name:

Architect/Engineer Approval:

Notes:



Product Description:

PLAIN END SWIVEL GOOSENECK

Drawn:

WJS

Checked

MAV

Scale:

1 : 2

Approved

JHB

Date:

1/31/07