



T&S BRASS AND BRONZE WORKS, INC.  
 2 SADDLEBACK COVE / P.O. BOX 1088 / TRAVELERS REST, SC 29690  
 PHONE 800-476-4103 FAX 864- 834-3518

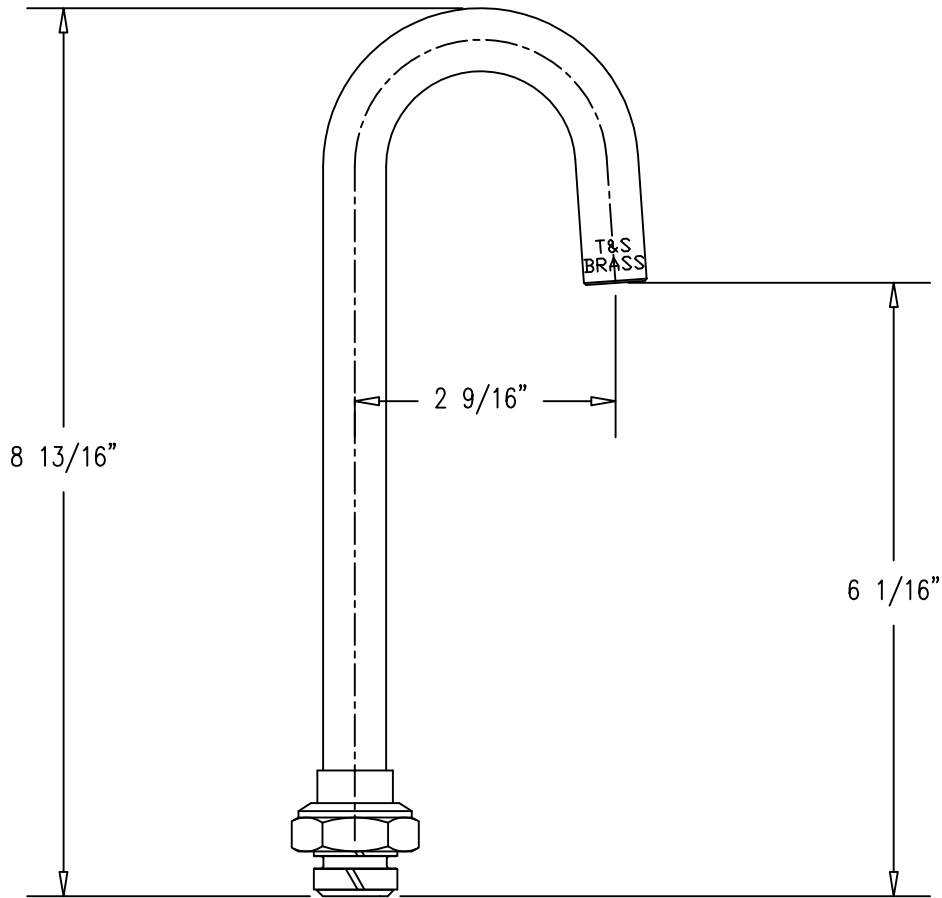


132XP  
 Item No.:

Job Name:

Architect/Engineer Approval:

Notes:



Product Description:  
 PLAIN END GOOSENECK

Drawn:  
 WJS  
 Approved

Checked  
 Date:

Scale:  
 1 : 2