



T&S BRASS AND BRONZE WORKS, INC.

2 SADDLEBACK COVE / P.O. BOX 1088 / TRAVELERS REST, SC 29690

PHONE 800-476-4103

FAX 803- 834-3518



REG.#A2601
ISO #9002

Model No.

144X

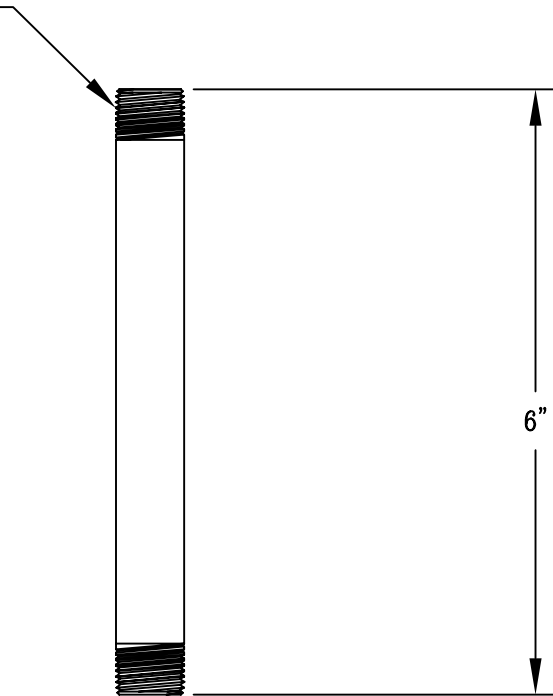
Item No.:

Job Name:

Architect/Engineer Approval:

Notes:

3/8" NPT MALE
BOTH ENDS



Product Description:

3/8" NPT x 6" NIPPLE

Drawn:

WJS

Checked

Approved

Scale:

1:2

Date: