



T&S BRASS AND BRONZE WORKS, INC.

2 Saddleback Cove / P.O. Box 1088
Travelers Rest, SC 29690



REG. #A2601
ISO #9001

Model No.

166A

Item No.

Travelers Rest, SC: 800-476-4103 Simi Valley, CA: 800-423-0150 Fax: 864-834-3518 www.tsbrass.com

This Space for Architect/Engineer Approval

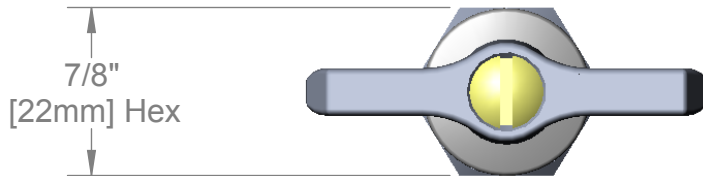
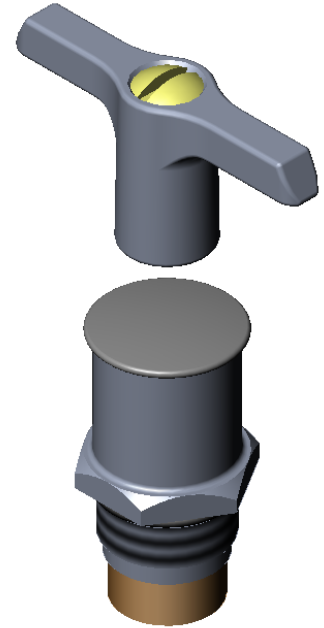
Job Name _____ Date _____

Model Specified _____ Quantity _____

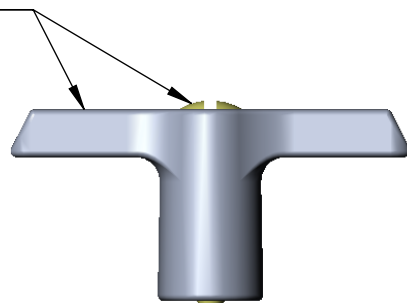
Customer/Wholesaler _____

Contractor _____

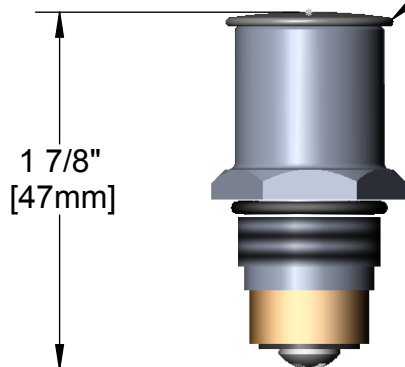
Architect/Engineer _____



Furnished w/
T-Handle & Screw



Removable Cap



Product Specifications:
Service Stop Assembly w/ T-Handle & Screw

Drawn
WJS

Checked
GEF

Approved
JHB

Scale:

1:1

Date:

3/15/07



T&S BRASS AND BRONZE WORKS, INC.

2 Saddleback Cove / P.O. Box 1088
Travelers Rest, SC 29690



REG. #A2601
ISO #9001

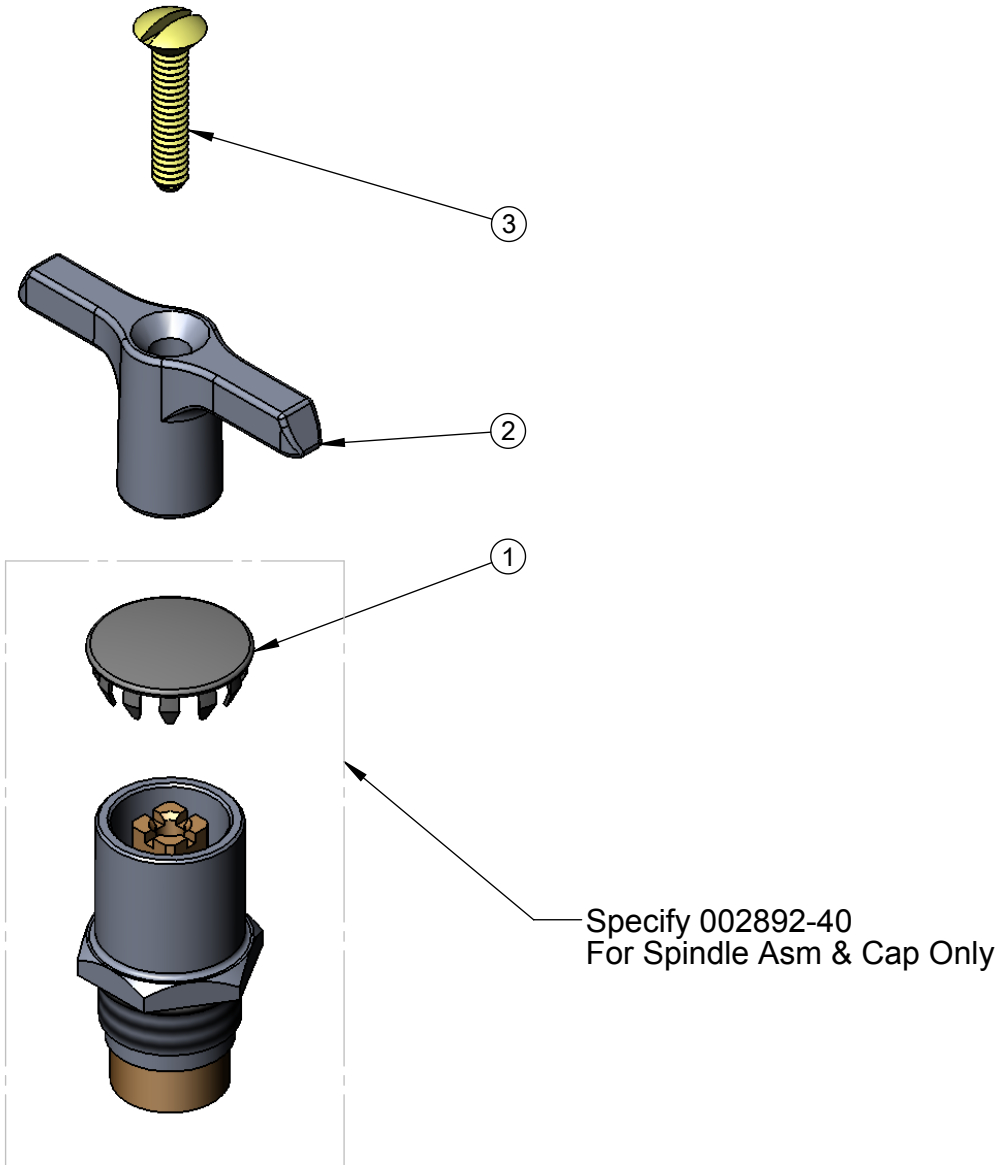
Model No.

166A

Item No.

Travelers Rest, SC: 800-476-4103 Simi Valley, CA: 800-423-0150 Fax: 864-834-3518 www.tsbrass.com

ITEM NO.	SALES NO.	DESCRIPTION
1	001605-45	Cap
2	001802-45	Handle, Supply Stop "T"
3	002432-45	Screw, Tee Handle



Product Specifications:

Service Stop Assembly w/ T-Handle & Screw

Drawn

WJS

Checked

GEF

Approved

JHB

Scale:

1:1

Date:

3/15/07