



T&S BRASS AND BRONZE WORKS, INC.
 2 SADDLEBACK COVE / P.O. BOX 1088 / TRAVELERS REST, SC 29690
 PHONE 800-476-4103 - FAX 864- 834-3518



Sales No.

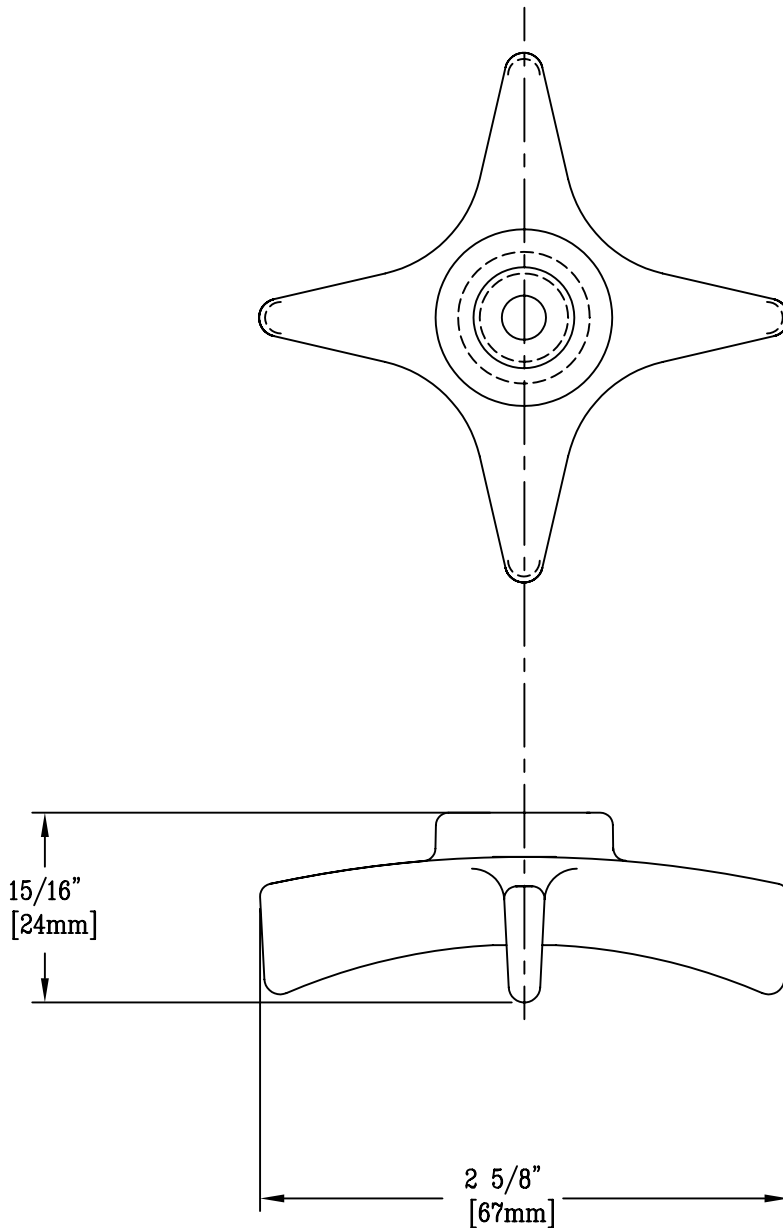
175F

RELIABILITY
 BUILT IN

Job Name:

Architect/Engineer Approval:

Notes:



Product Description:

4-ARM KITCHEN HANDLE

Drawn:

WJS

Approved

CA

Checked

MWR

Scale:

1 : 1

Date:

1-19-96