

T&S BRASS AND BRONZE WORKS, INC.

2 SADDLEBACK COVE / P.O. BOX 1088 / TRAVELERS REST, SC 29690

PHONE 800-476-4103

FAX 864-834-3518



REG.#A2601
ISO #9002

Model No.

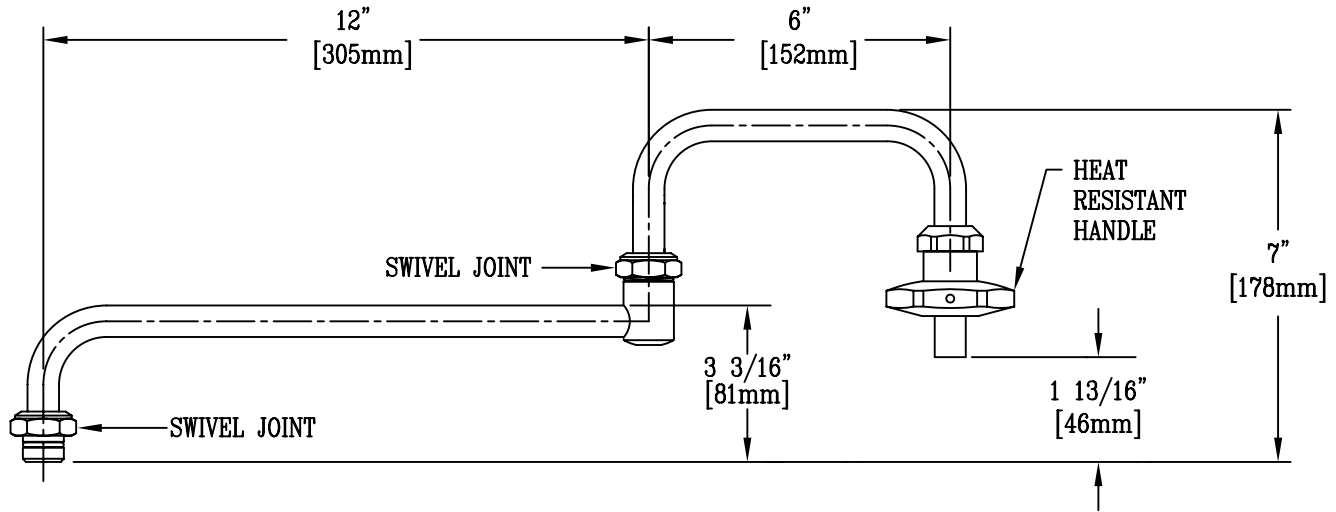
178A

Item No.:

Job Name:

Architect/Engineer Approval:

Notes:



Product Description:

18" SWING NOZZLE w/ 035A HEAT RESISTANT HANDLE
12" BACK SECTION, 6" FRONT SECTION

Drawn:

KJG

Checked

GEF

Scale:

1 : 4

Approved

JHB

Date:

11/11/08