



T&S BRASS AND BRONZE WORKS, INC.
 2 SADDLEBACK COVE / P.O. BOX 1088 / TRAVELERS REST, SC 29690
 PHONE 800-476-4103 FAX 864- 834-3518



Model No.

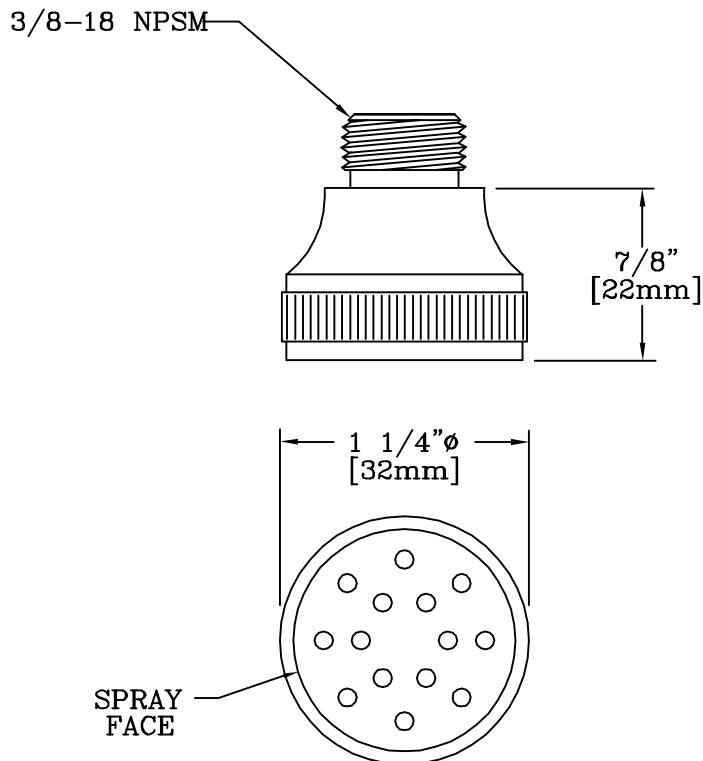
B-0103-F20

Item No.:

Job Name:

Architect/Engineer Approval:

Notes:



NOTE:

FLOW CONTROL INSERTED AT ASSEMBLY
 2.0 GPM W/ YELLOW DOT

Product Description:

ROSE SPRAY, 2.00 GPM

Drawn:

MCW

Checked

ARY

Scale:

1' = 1'

Approved

CA

Date:

4-10-95