



T&S BRASS AND BRONZE WORKS, INC.
 2 SADDLEBACK COVE / P.O. BOX 1088 / TRAVELERS REST, SC 29690
 PHONE 800-476-4103 - FAX 864- 834-3518



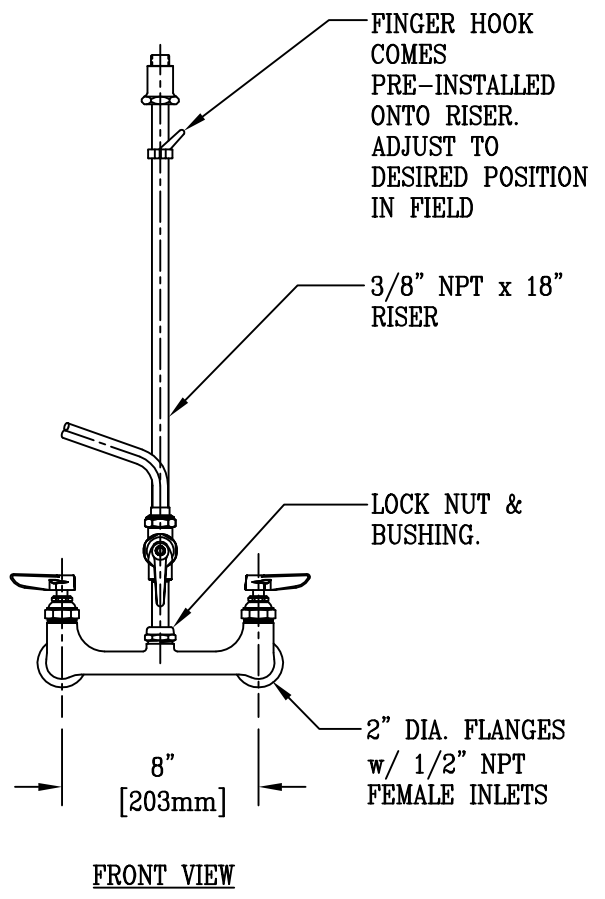
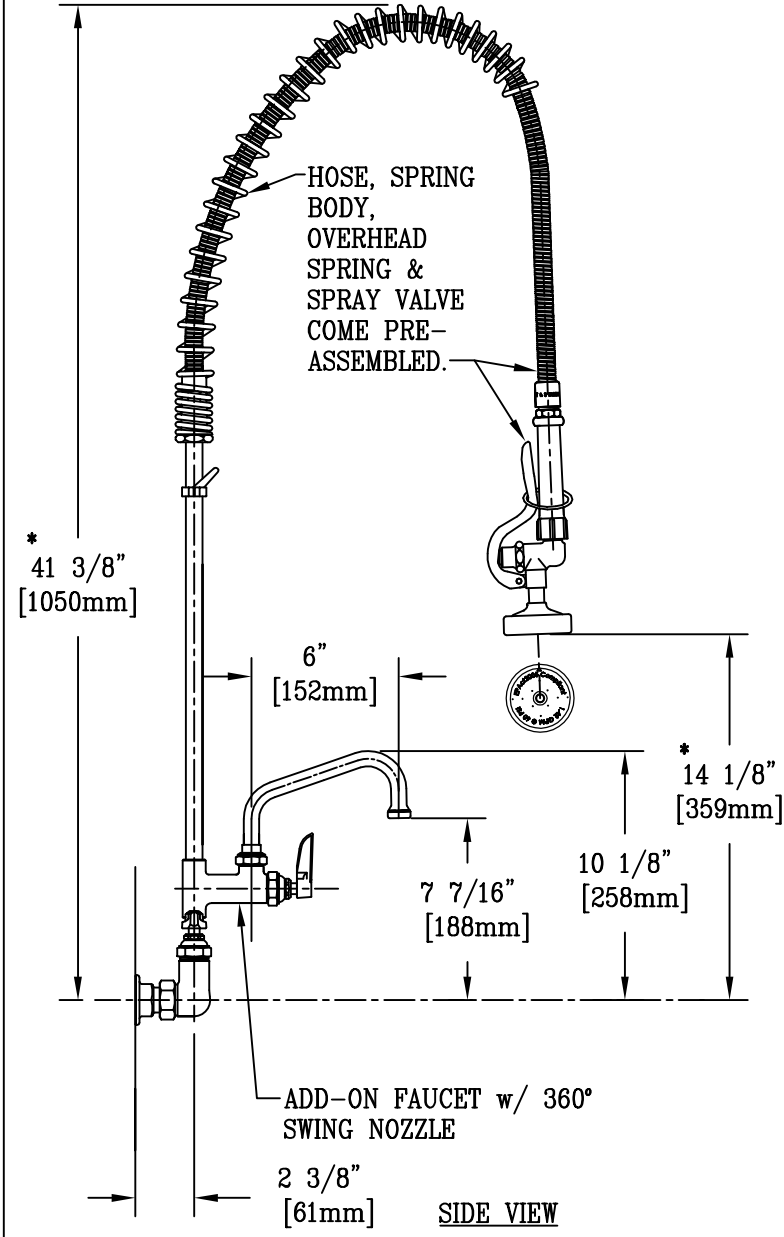
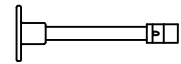
Model No.
 B-0133-ADF06-B
**RELIABILITY
 BUILT IN**

Job Name: _____ Architect/Engineer Approval: _____

Notes: _____

EPAct2005 COMPLIANT

FURNISHED WITH WALL BRACKET: CUT NIPPLE TO LENGTH REQUIRED



* DIMENSIONS MAY VARY ± 1/2" ON EACH INSTALLATION

Product Description: EASY INSTALL PRE-RINSE UNIT: 8" c/c WALL MOUNT BASE FAUCET, 1/2" NPT FEMALE INLETS, 18" RISER, ADD ON FCT., 6" SWING NOZZLE, SUPPORT SPRING, 44" FLEX HOSE, B-0107 SPRAY	Drawn: RJK	Checked JRM	Scale: 1 : 8
	Approved JHB		Date: 01/04/06