



T&S BRASS AND BRONZE WORKS, INC.
 2 SADDLEBACK COVE / P.O. BOX 1088 / TRAVELERS REST, SC 29690
 PHONE 800-476-4103 FAX 864-834-3518



Model No.

B-0163

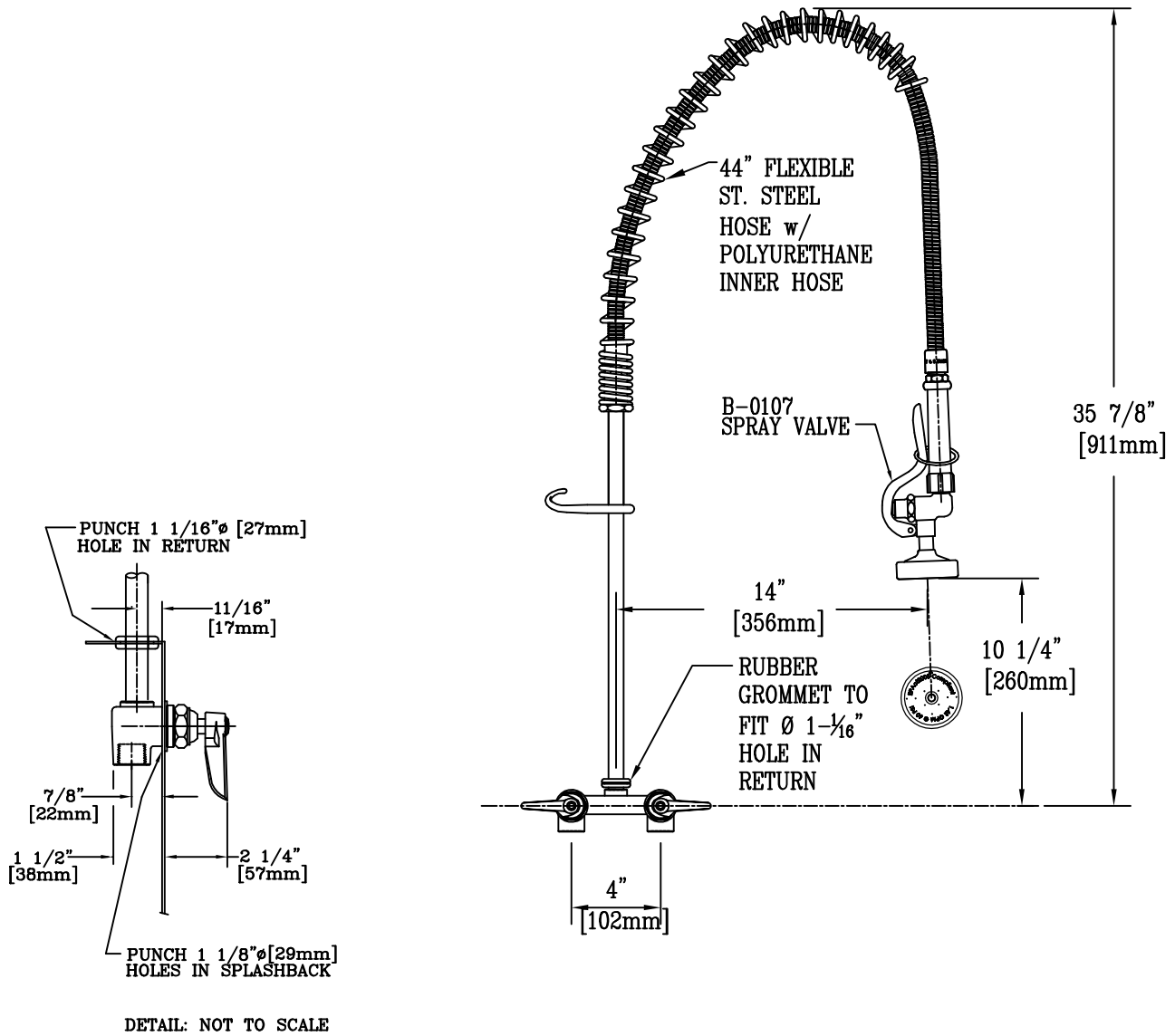
Item No.:

Job Name:

Architect/Engineer Approval:

Notes:

EPAct2005 COMPLIANT



Product Description:
 PRE-RINSE UNIT

Drawn:

WJS

Checked

JRM

Scale:

1:8

Approved

JHB

Date:

01-04-06