



T&S BRASS AND BRONZE WORKS, INC.
 2 SADDLEBACK COVE / P.O. BOX 1088 / TRAVELERS REST, SC 29690
 PHONE 800-476-4103 FAX 803- 834-3518



Model No.

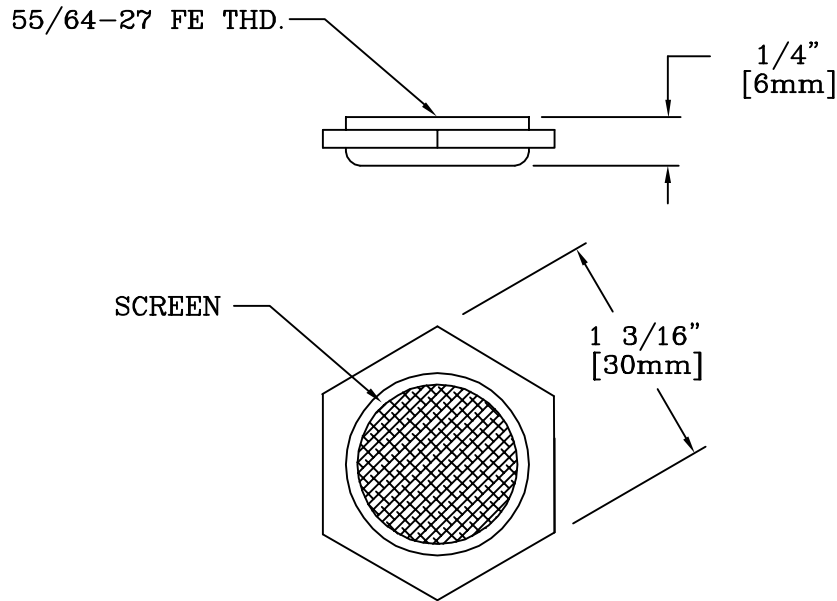
B-0197-01

Item No.:

Job Name:

Architect/Engineer Approval:

Notes:



NOTE: EPOXY CEMENTED ON NOZZLES & GOOSENECKS
 WHEN FURNISHED ON ORIGINAL EQUIPMENT.

Product Description:

ANTI-HOSE TIP 55/64-27 FE

Drawn:

MCW

Approved

CA

Checked

SCM

Scale:

1' = 1'

Date:

6/30/95