



T&S BRASS AND BRONZE WORKS, INC.
 2 SADDLEBACK COVE / P.O. BOX 1088 / TRAVELERS REST, SC 29690
 PHONE 800-476-4103 FAX 864- 834-3518

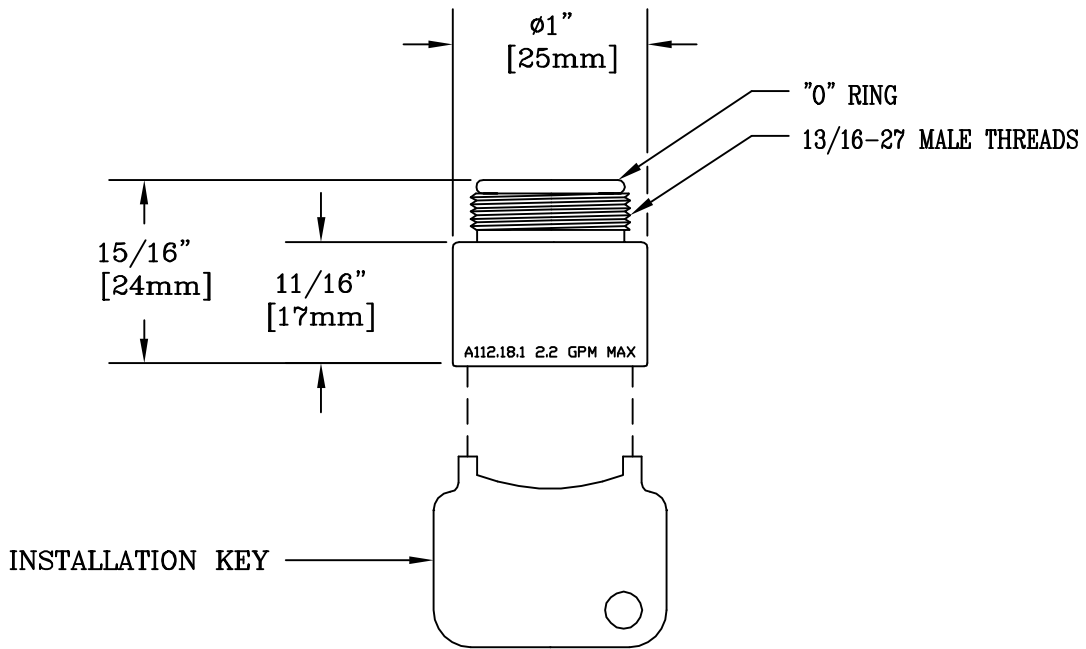


Model No.
 B-0199-08
 Item No.:

Job Name:

Architect/Engineer Approval:

Notes:



Product Description:

VANDAL RESISTANT AERATOR WITH
 13/16-27 MALE THREAD & INSTALLATION KEY

Drawn:

TME

Approved

MVW

Checked

WJS

Scale:

1' = 1'

Date:

2/3/00