



T&S BRASS AND BRONZE WORKS, INC.
 2 SADDLEBACK COVE / P.O. BOX 1088 / TRAVELERS REST, SC 29690
 PHONE 800-476-4103 FAX 864-834-3518



Model No.

B-0210-LN

Item No.:

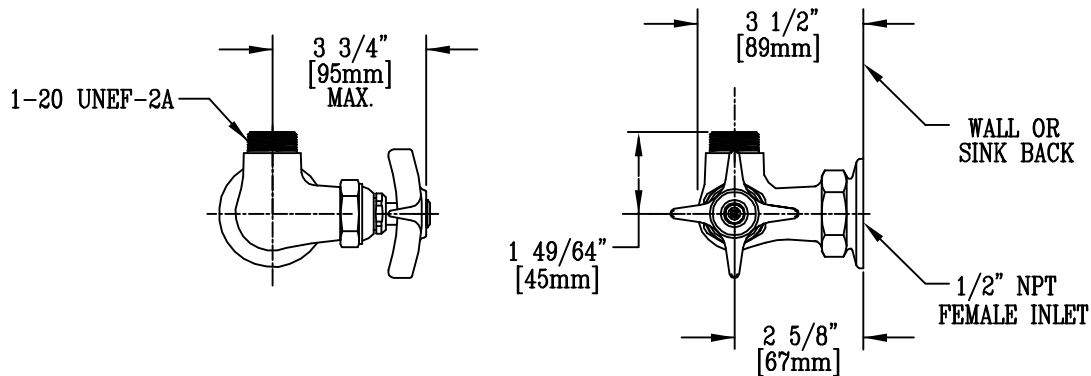
Job Name:

Architect/Engineer Approval:

Notes:



ADA COMPLIANT



NOTE 1. SPECIFY COLD OR HOT INDEX FOR HANDLE.
 IF NOT SPECIFIED, COLD IS FURNISHED.

Product Description:

SINGLE SINK FAUCET LESS NOZZLE

Drawn:

MCW

Approved

CA

Checked

SCM

Scale:

3" = 1'

Date:

8-10-95