



T&S BRASS AND BRONZE WORKS, INC.
 2 SADDLEBACK COVE / P.O. BOX 1088 / TRAVELERS REST, SC 29690
 PHONE 800-476-4103 - FAX 864- 834-3518



Model No.

B-0216-177F

RELIABILITY
 BUILT IN

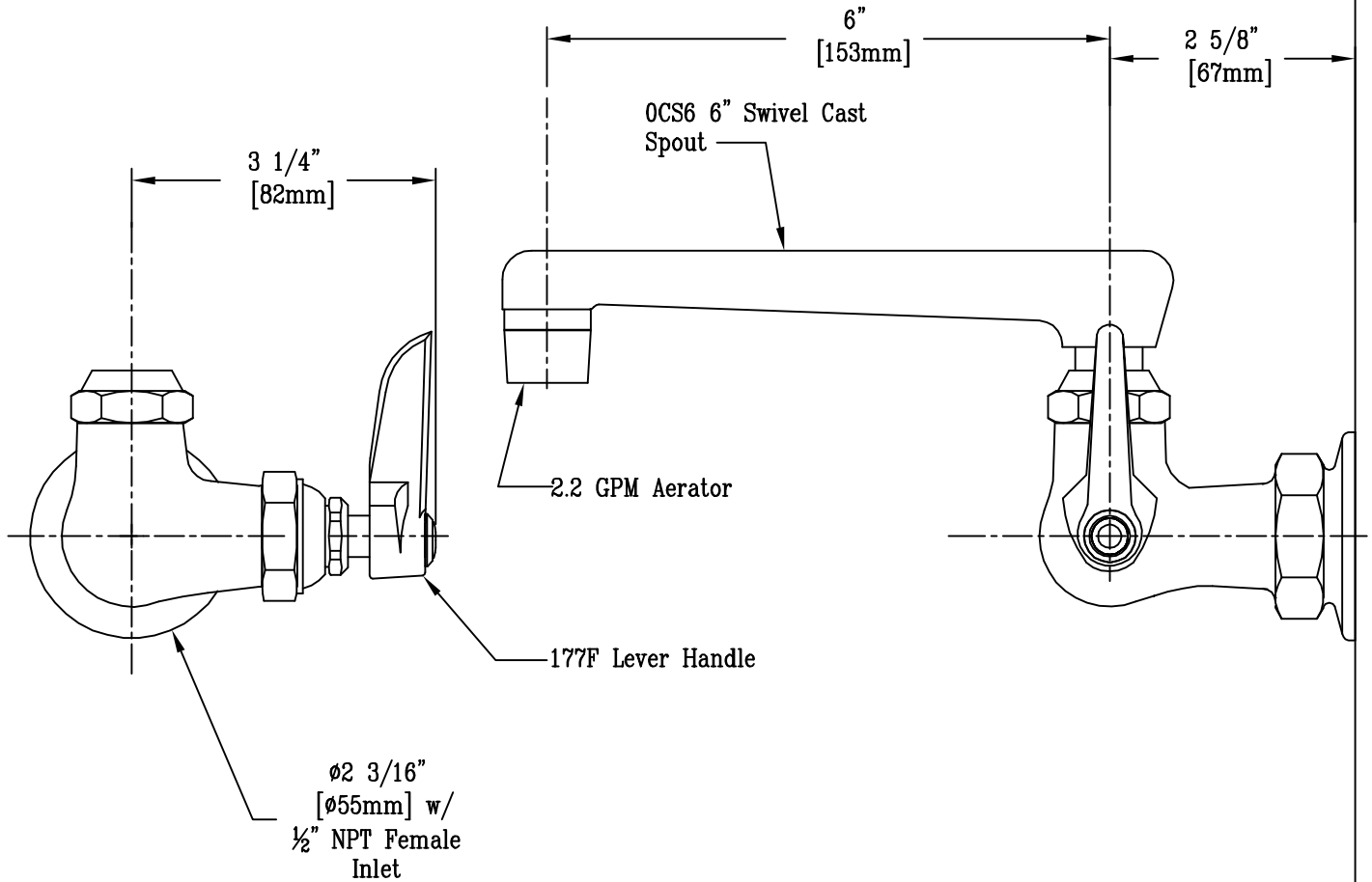
Job Name:

Architect/Engineer Approval:

Notes:



ADA COMPLIANT



Product Description:

SINGLE TEMPERATURE WALL MOUNT SWIVEL FAUCET BASE
 w/ 177F LEVER HANDLE, & OCS6 6" CAST SPOUT

Drawn:

WJS

Checked

GEF

Scale:

1:2

Approved

JHB

Date:

8/9/06