



T&S BRASS AND BRONZE WORKS, INC.  
 2 SADDLEBACK COVE / P.O. BOX 1088 / TRAVELERS REST, SC 29690  
 PHONE 800-476-4103 FAX 864- 834-3518



REG.#A2601  
 ISO #9002

Model No.

B-0220-LNCC

Item No.:

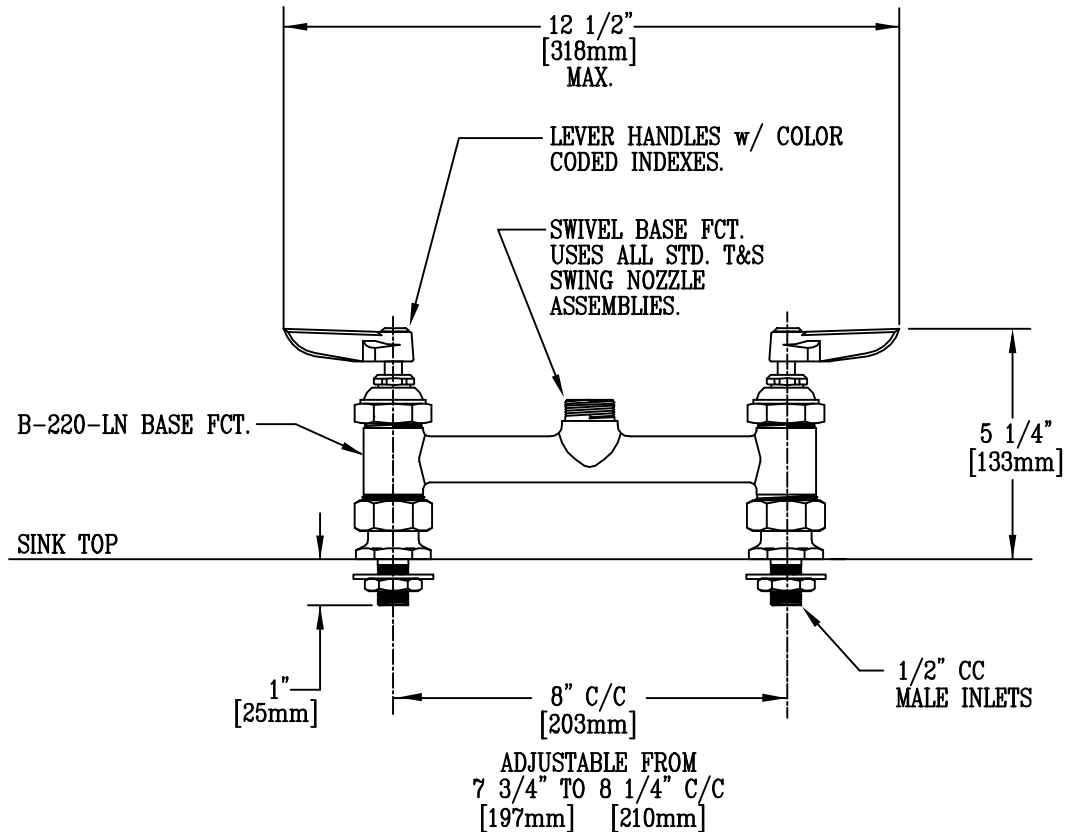
Job Name:

Architect/Engineer Approval:

Notes:



ADA COMPLIANT



Product Description:

B-220 BASE FCT. w/ CC INLETS & LESS NOZZLE

Drawn:

WJS

Approved

MVW

Checked

JKD

Scale:

1:4

Date:

7/17/98