



T&S BRASS AND BRONZE WORKS, INC.
 2 SADDLEBACK COVE / P.O. BOX 1088 / TRAVELERS REST, SC 29690
 PHONE 800-476-4103 - FAX 864- 834-3518



Model No.

B-0230-EELN

**RELIABILITY
 BUILT IN**

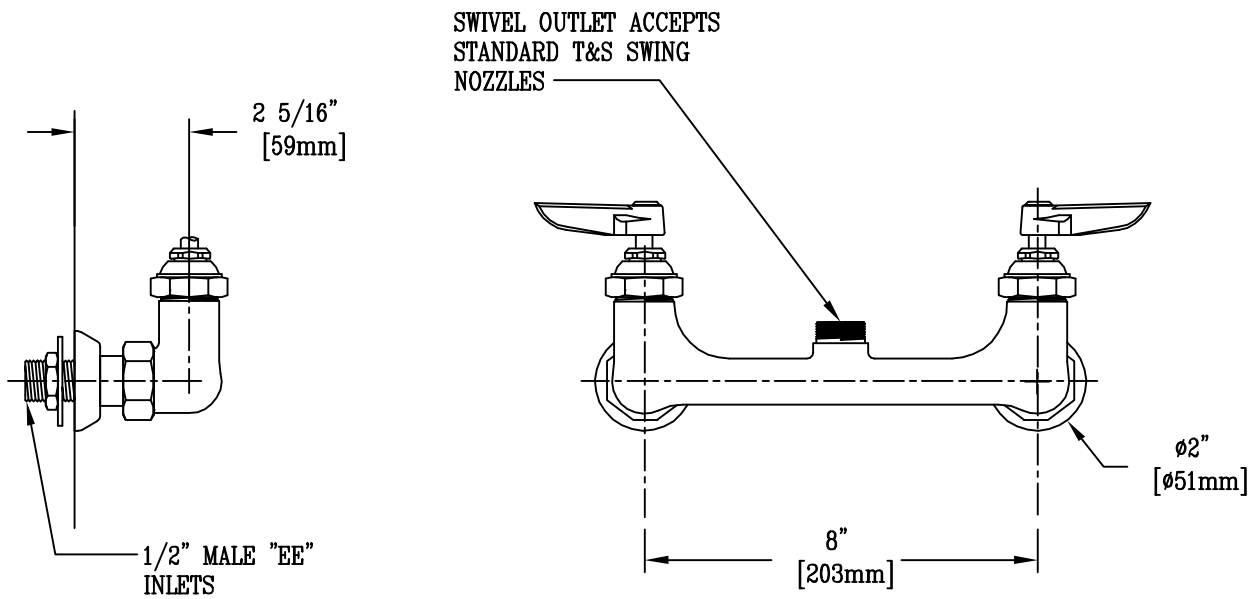
Job Name:

Architect/Engineer Approval:

Notes:



ADA COMPLIANT



Product Description:
 8" c/c WALL MOUNT MIXING FAUCET LESS NOZZLE,
 AND WITH 1/2" MALE "EE" INLETS

Drawn:

WJS

Checked

JKD

Scale:

1 : 4

Approved

MVW

Date:

6/10/03