



T&S BRASS AND BRONZE WORKS, INC.

2 SADDLEBACK COVE / P.O. BOX 1088 / TRAVELERS REST, SC 29690

(803) 834-4102 TELEX 57-0311 FAX (803) 834-3518

Model No.

B-0235-01

Item No.:

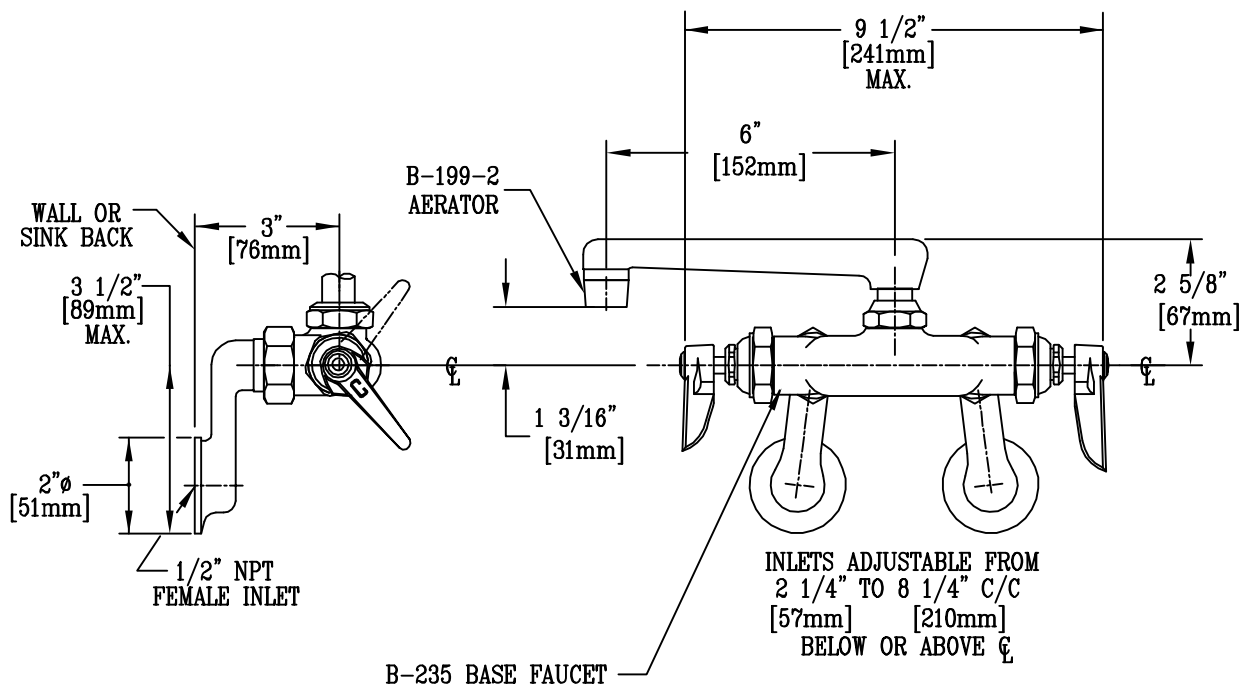
Job Name:

Architect/Engineer Approval:

Notes:



ADA COMPLIANT



ADA Compliant

NOTES :

1. NOZZLE SWINGS 360°
2. ALSO AVAILABLE W/ BUILT- IN-STOPS. SPECIFY B-0243.
3. ALSO AVAILABLE w/ 8" SPOUT. SPECIFY B-0235-01 w/ OCS8
4. NSF STANDARD 61, SECTION 9 CERTIFIED

Product Description:

COMBINATION SINK FAUCET WITH 6" CAST SPOUT NOZZLE & ADJUSTABLE INLET ARMS & B-199-2 AERATOR.

Drawn:

TME

Checked

WJS

Scale:

3" = 1'

Approved

MVW

Date:

1/25/02