



T&S BRASS AND BRONZE WORKS, INC.
 2 SADDLEBACK COVE / P.O. BOX 1088 / TRAVELERS REST, SC 29690
 PHONE 800-476-4103 FAX 864-834-3518



Model No.

B-0408-03

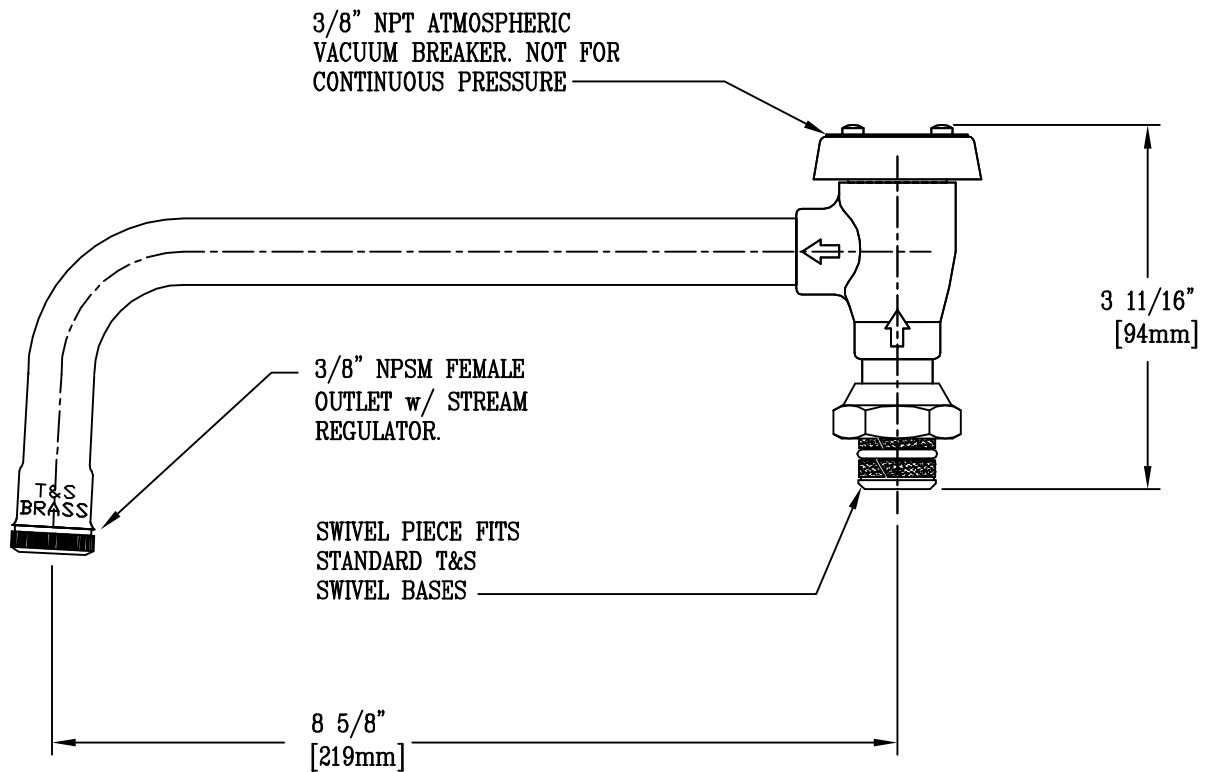
Item No.:

REG.#A2601
ISO #9002

Job Name:

Architect/Engineer Approval:

Notes:



Product Description:

VACUUM BREAKER SWING NOZZLE:
 SWIVEL BASE, STREAM REGULATOR, 8 5/8" SPREAD

Drawn:

WJS

Approved

MVW

Checked

JKD

Scale:

1 : 2

Date:

5/9/01