



T&S BRASS AND BRONZE WORKS, INC.
 2 SADDLEBACK COVE / P.O. BOX 1088 / TRAVELERS REST, SC 29690
 PHONE 800-476-4103 - FAX 864- 834-3518



Model No.

B-0431

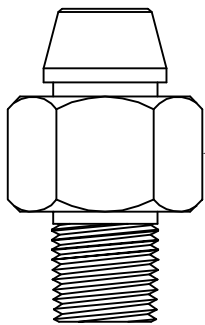
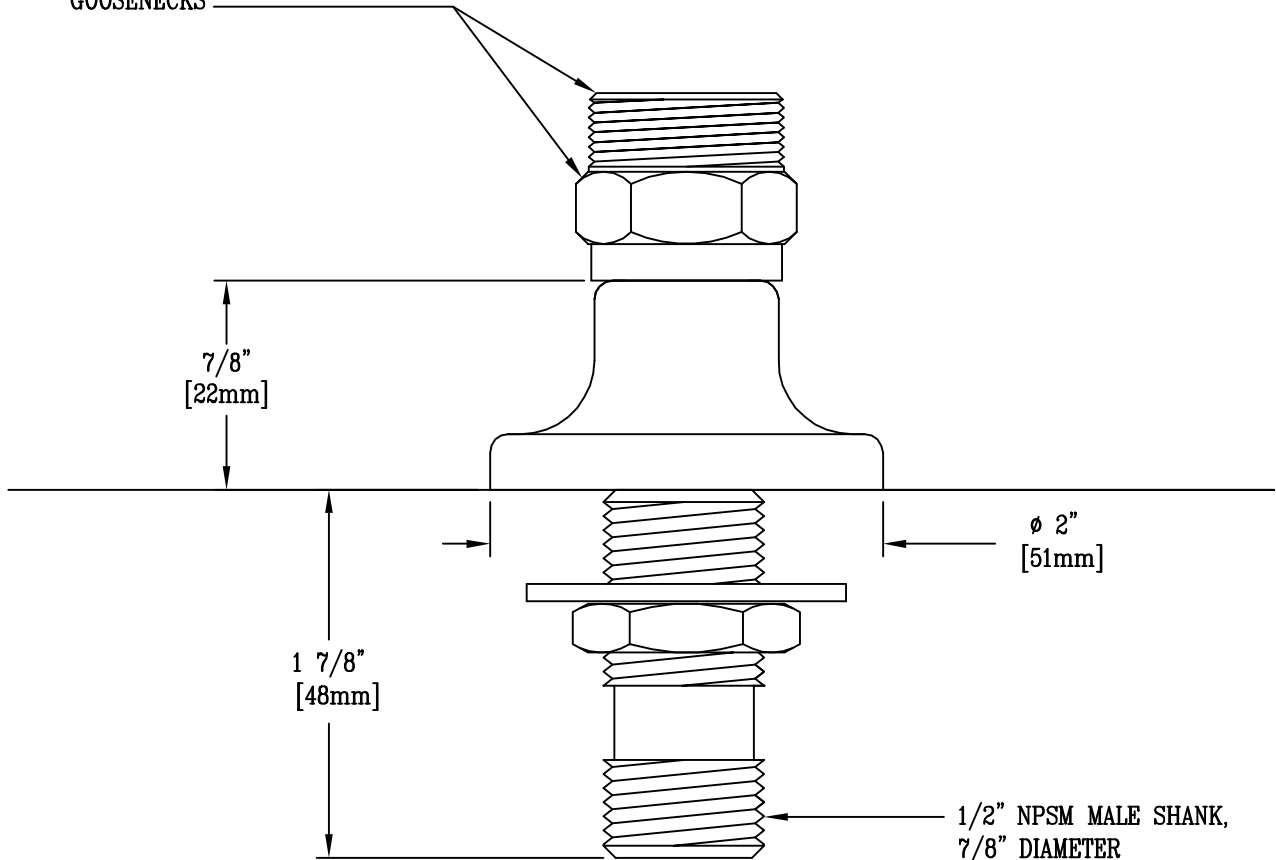
RELIABILITY
 BUILT IN

Job Name:

Architect/Engineer Approval:

Notes:

RIGID TO SWIVEL ADAPTER.
 ACCEPTS STANDARD T&S
 SWING NOZZLES & SWIVEL
 GOOSENECKS



150A TAILPIECE
 AND NUT FURNISHED
 FOR OPTIONAL
 1/4" NPT CONNECTION

Product Description:

DECK MOUNT SWIVEL BASE OUTLET
 FOR SWING NOZZLES & SWIVEL GOOSENECKS

Drawn:

PRJ

Approved

MVW

Checked

WJS

Scale:

1 : 1

Date:

05/23/02