



**T&S BRASS AND BRONZE WORKS, INC.**  
 2 SADDLEBACK COVE / P.O. BOX 1088 / TRAVELERS REST, SC 29690  
 PHONE 800-476-4103 FAX 864-834-3518



Model No.

B-0435

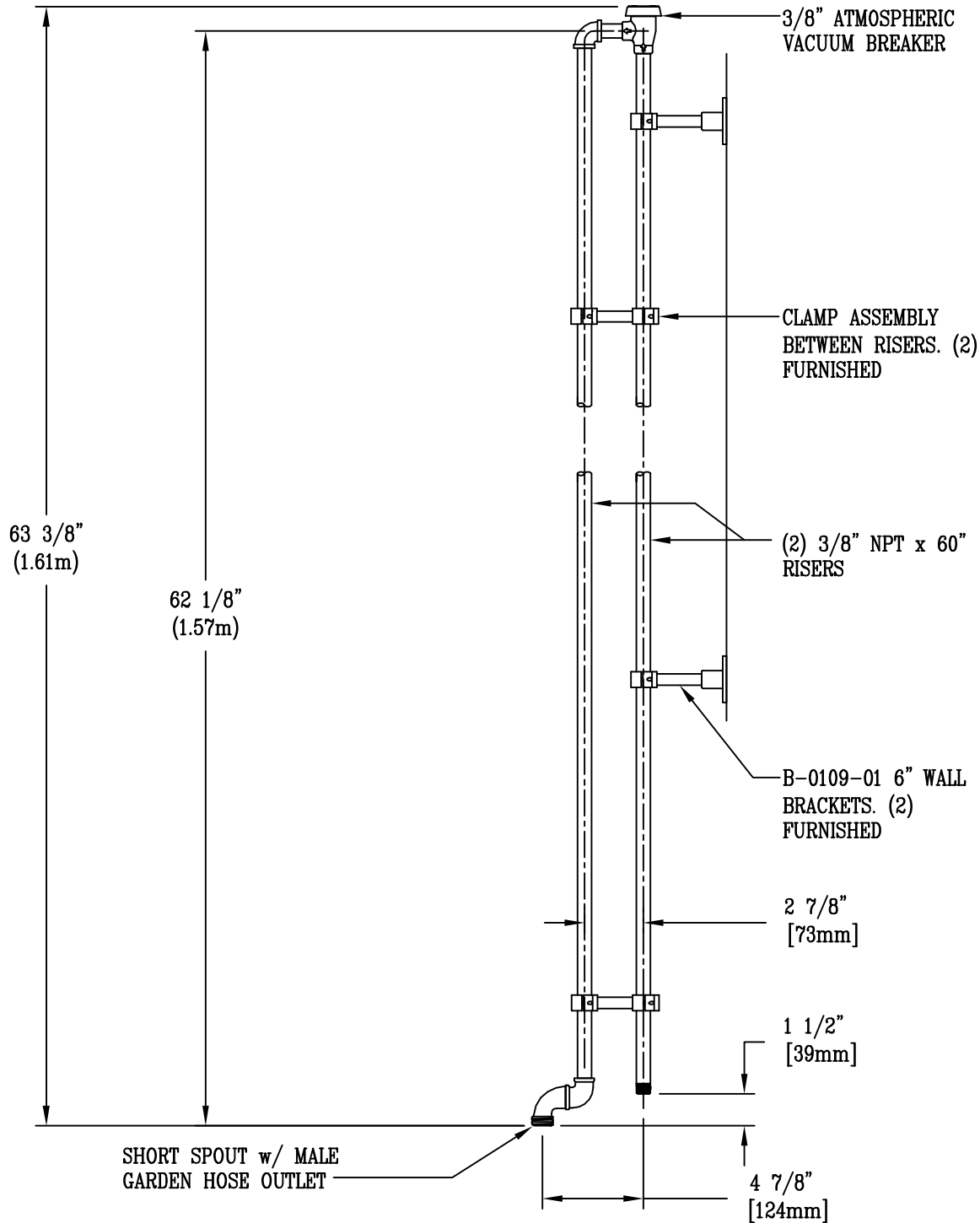
Item No.:

REG.#A2601  
ISO #9002

Job Name:

Architect/Engineer Approval:

Notes:



Product Description:

ELEVATED VACUUM BREAKER UNIT WITH  
SHORT GARDEN HOSE SPOUT & WALL BRACES

Drawn:

WJS

Approved

MVW

Checked

MVW

Scale:

1 : 8

Date:

3/29/01