



T&S BRASS AND BRONZE WORKS, INC.
 2 SADDLEBACK COVE / P.O. BOX 1088 / TRAVELERS REST, SC 29690
 PHONE 800-476-4103 FAX 864-834-3518



Model No.

B-0436

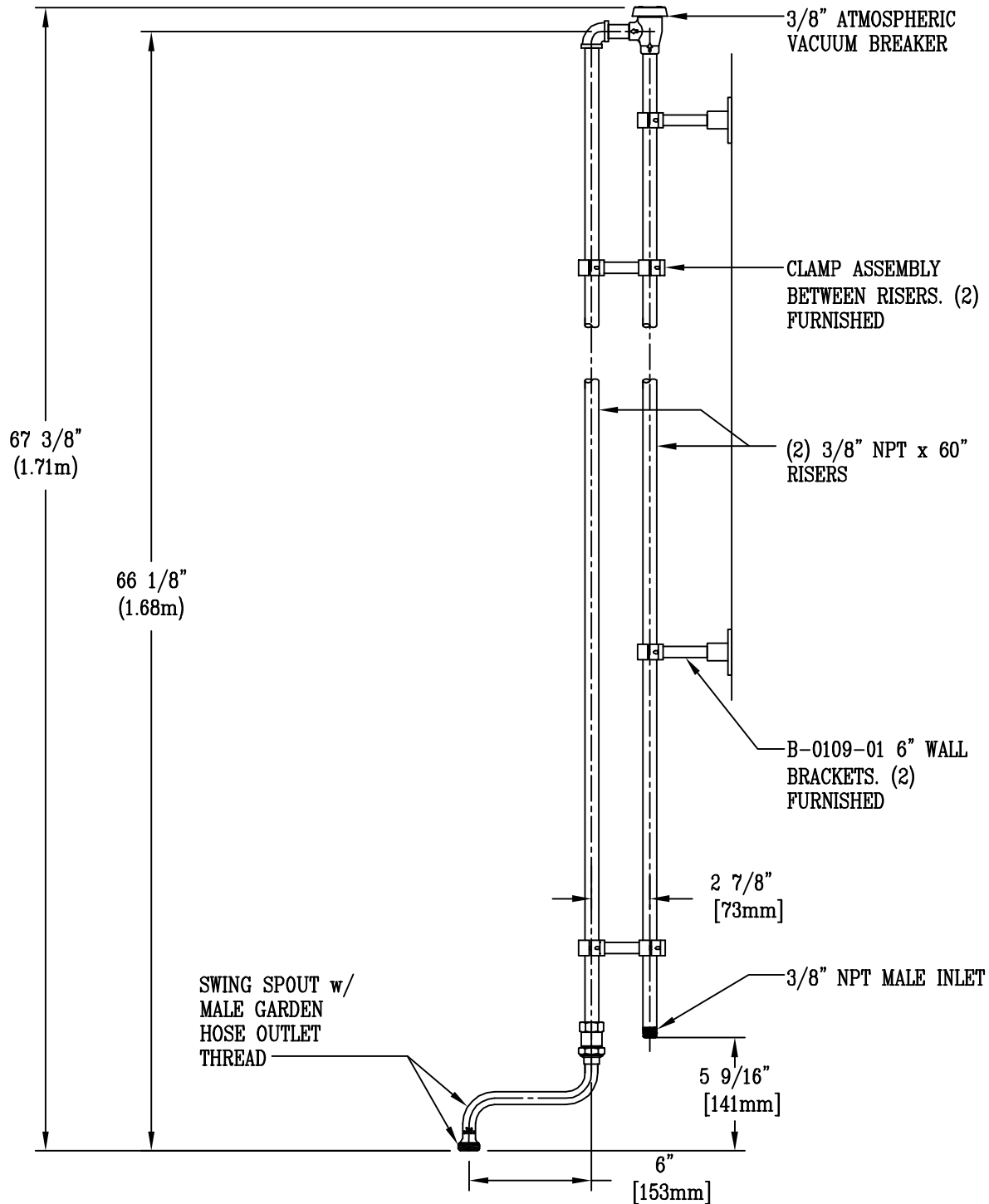
Item No.:

REG.#A2601
ISO #9002

Job Name:

Architect/Engineer Approval:

Notes:



Product Description:

ELEVATED VACUUM BREAKER UNIT WITH 6" SWING SPOUT w/ MALE GARDEN HOSE THREADED OUTLET

Drawn:

WJS

Approved

MVW

Checked

MVW

Scale:

1 : 8

Date:

3/29/01