



T&S BRASS AND BRONZE WORKS, INC.
 2 SADDLEBACK COVE / P.O. BOX 1088 / TRAVELERS REST, SC 29690
 PHONE 800-476-4103 FAX 864- 834-3518



REG.#A2601
 ISO #9002

Model No.

B-0440

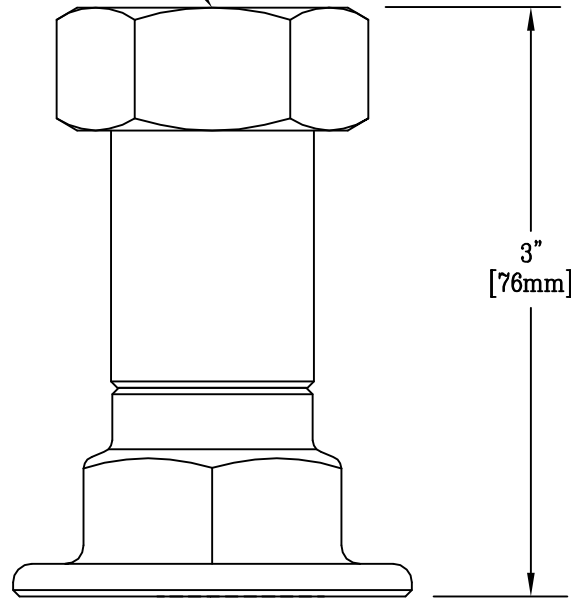
Item No.:

Job Name:

Architect/Engineer Approval:

Notes:

1.260-14 FAUCET FLANGE
 CPLG. NUT. FITS STANDARD
 T&S FAUCET BODIES



1/2" FEMALE
 ECCENTRIC INLET

Product Description:

3" INLET EXTENSION-1/2" NPT

Drawn:

MCW

Approved

CA

Checked

JKD

Scale:

1' = 1'

Date:

8/10/95