



T&S BRASS AND BRONZE WORKS, INC.  
 2 SADDLEBACK COVE / P.O. BOX 1088 / TRAVELERS REST, SC 29690  
 PHONE 800-476-4103 FAX 803-834-3518



Model No.

B-0442

Item No.:

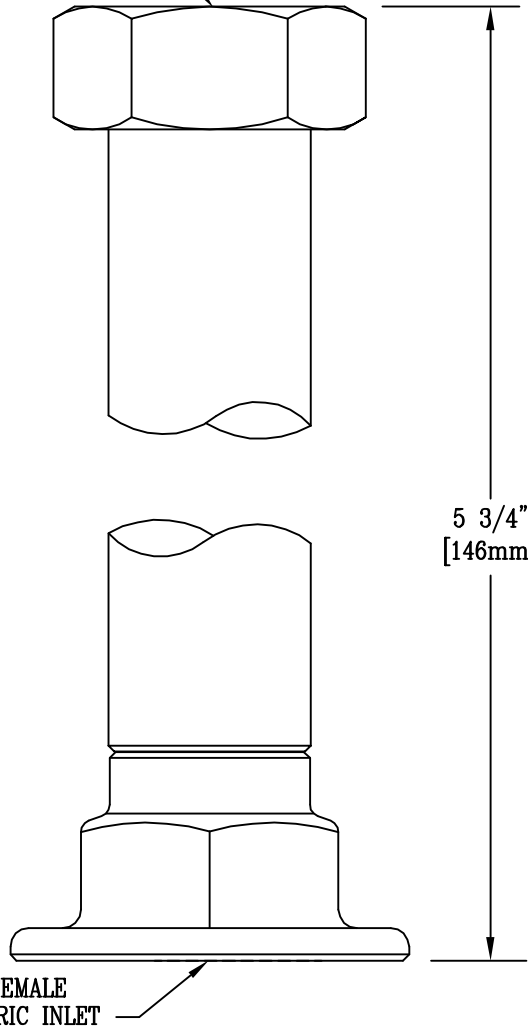
REG.#A2601  
 ISO #9002

Job Name:

Architect/Engineer Approval:

Notes:

1/2" NPT FEMALE OUTLET



NOTE:

ADDS 4 1/2" [114mm] TO STANDARD AA INLET

Product Description:

5 3/4" INLET EXTENSION-1/2" NPT

Drawn:

MCW

Approved

CA

Checked

JKD

Scale:

1' = 1'

Date:

8/10/95