



T&S BRASS AND BRONZE WORKS, INC.

2 SADDLEBACK COVE / P.O. BOX 1088 / TRAVELERS REST, SC 29690

PHONE 800-476-4103

FAX 864-834-3518



REG. #A2601
ISO #9002

Model No.

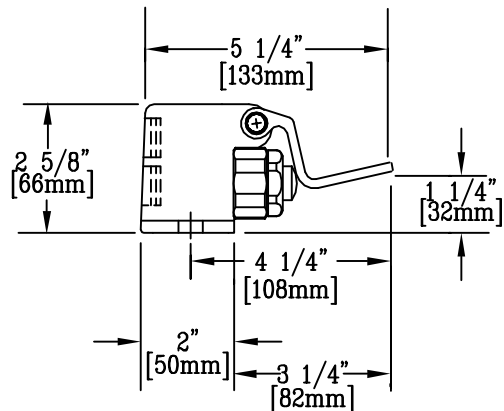
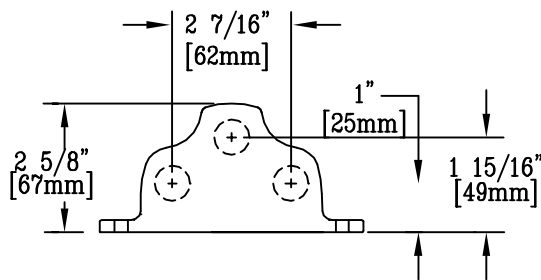
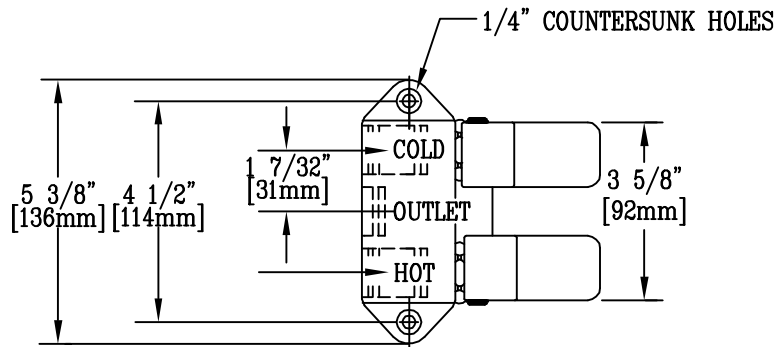
B-0502-SL

Item No.:

Job Name:

Architect/Engineer Approval:

Notes:



NOTE 1. INLETS & OUTLETS ARE 1/2" NPT FEMALE

NOTE 2. FURNISHED WITH CHROME PLATED WOOD SCREWS

Product Description:

Drawn:

Checked

Scale:

LEL

WJS

1 : 4

Approved

Date:

MVW

12/22/03

DOUBLE PEDAL VALVE
SLOW CLOSE