



# T&S BRASS AND BRONZE WORKS, INC.

2 Saddleback Cove / P.O. Box 1088  
Travelers Rest, SC 29690



REG. #A2601  
ISO #9001

Model No.  
**B-0502**

Item No.

Travelers Rest, SC: 800-476-4103 Simi Valley, CA: 800-423-0150 Fax: 864-834-3518 www.tsbrass.com

This Space for Architect/Engineer Approval

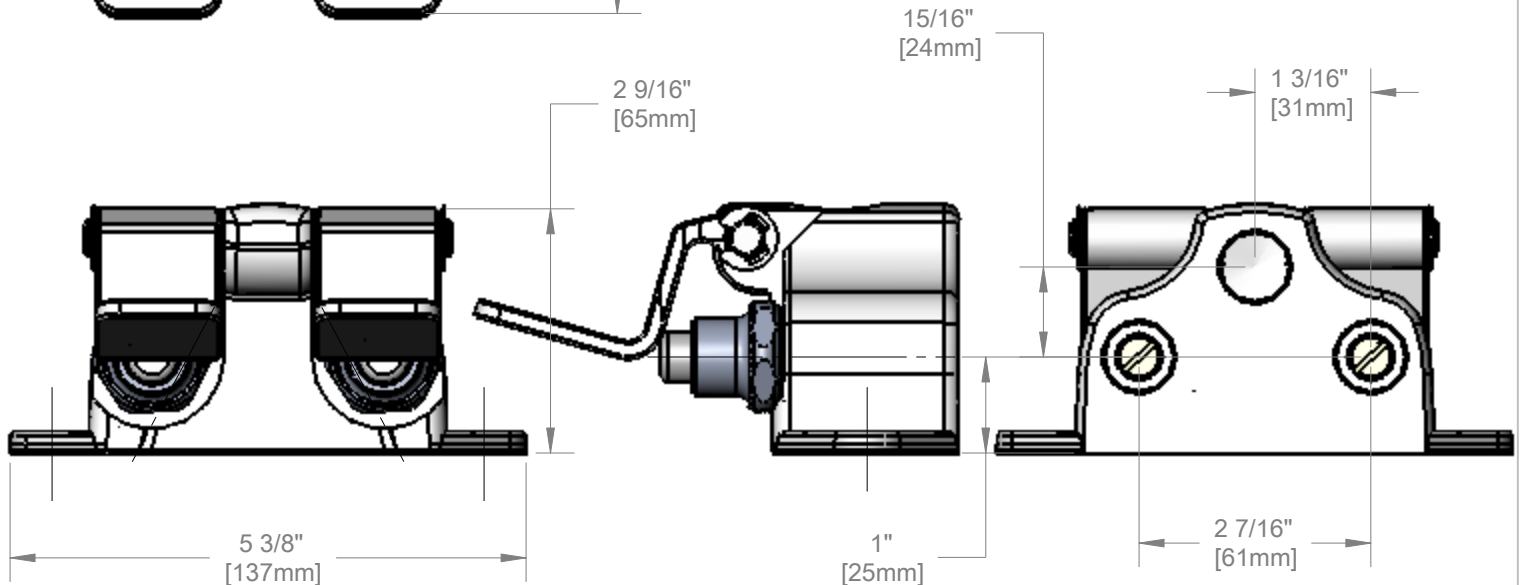
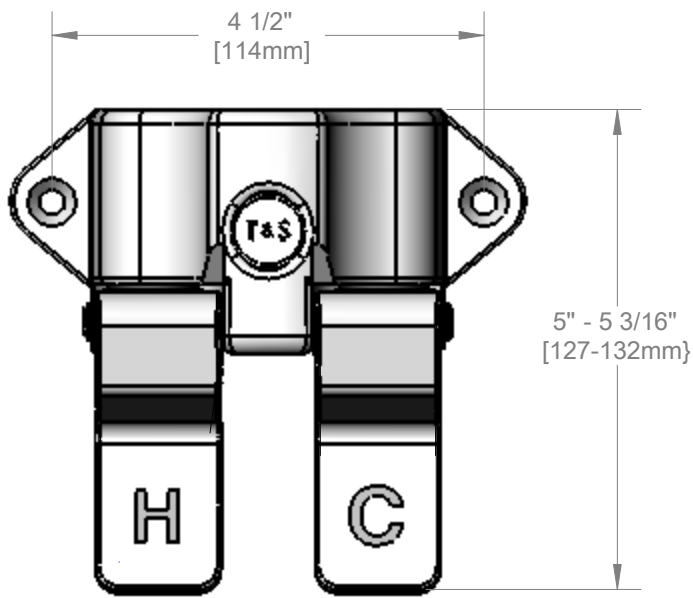
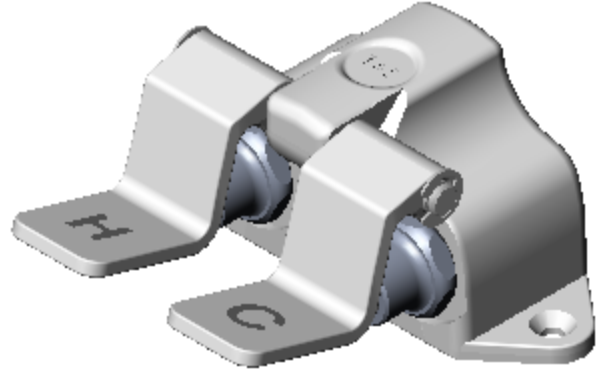
Job Name \_\_\_\_\_ Date \_\_\_\_\_

Model Specified \_\_\_\_\_ Quantity \_\_\_\_\_

Customer/Wholesaler \_\_\_\_\_

Contractor \_\_\_\_\_

Architect/Engineer \_\_\_\_\_



Product Specifications:  
Double Pedal Valve  
1/2" NPT Female Inlets & Outlet

Drawn WJS	Checked JRM	Approved JHB
Scale: 1:2	Date: 10/19/06	



# T&S BRASS AND BRONZE WORKS, INC.

2 Saddleback Cove / P.O. Box 1088  
Travelers Rest, SC 29690



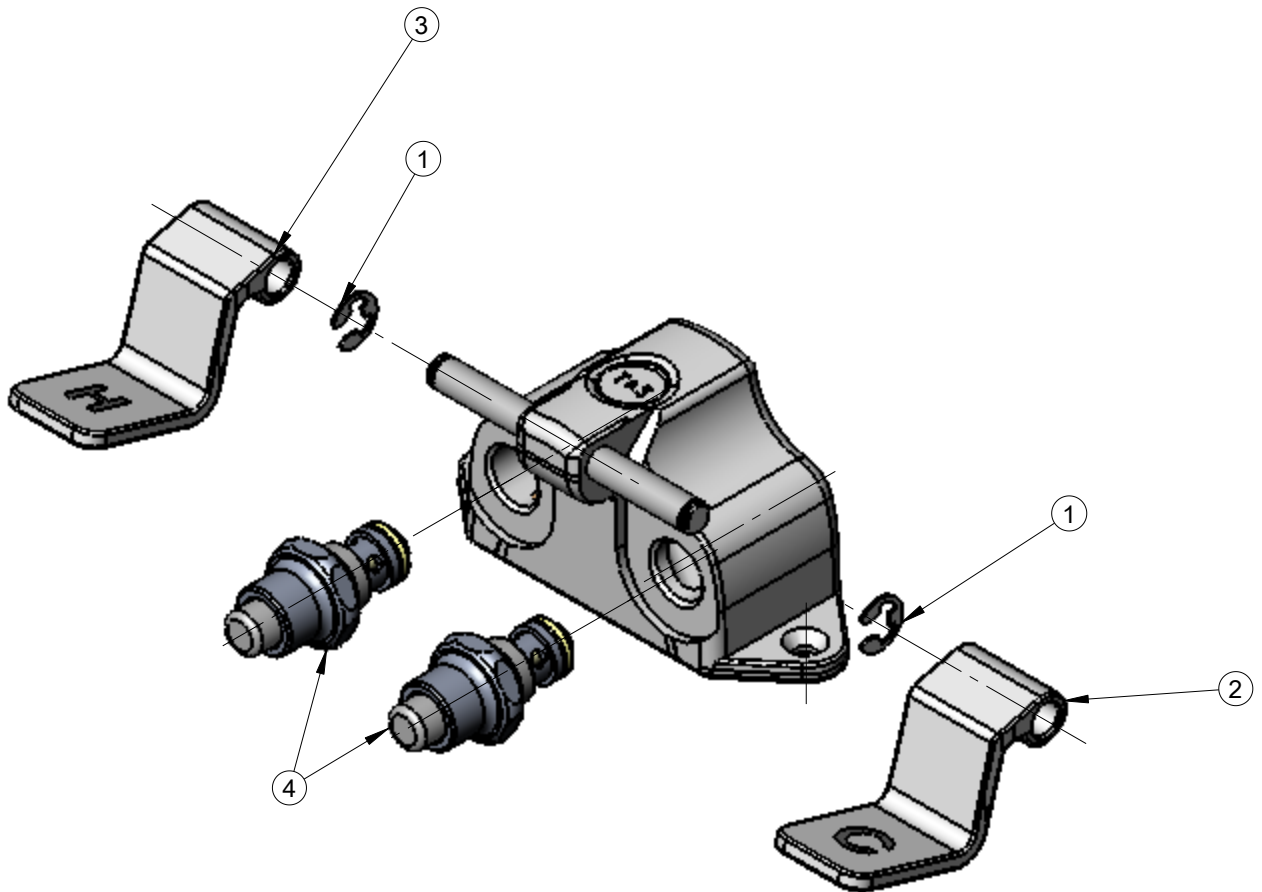
REG. #A2601  
ISO #9001

Model No.  
**B-0502**

Item No.

Travelers Rest, SC: 800-476-4103    Simi Valley, CA: 800-423-0150    Fax: 864-834-3518    www.tsbrass.com

ITEM	PART NO.	DESCRIPTION
1	012512-45	Retaining Ring
2	000091-25	Cold Pedal
3	000092-25	Hot Pedal
4	005312-40	Bonnet Asm



Product Specifications:

Double Pedal Valve  
1/2" NPT Female Inlets & Outlet

Drawn WJS	Checked JRM	Approved JHB
Scale: 1:2		Date: 10/19/06