



**T&S BRASS AND BRONZE WORKS, INC.**

2 SADDLEBACK COVE / P.O. BOX 1088 / TRAVELERS REST, SC 29690

PHONE 800-476-4103

FAX 864-834-3518



REG.#A2601  
ISO #9002

Model No.

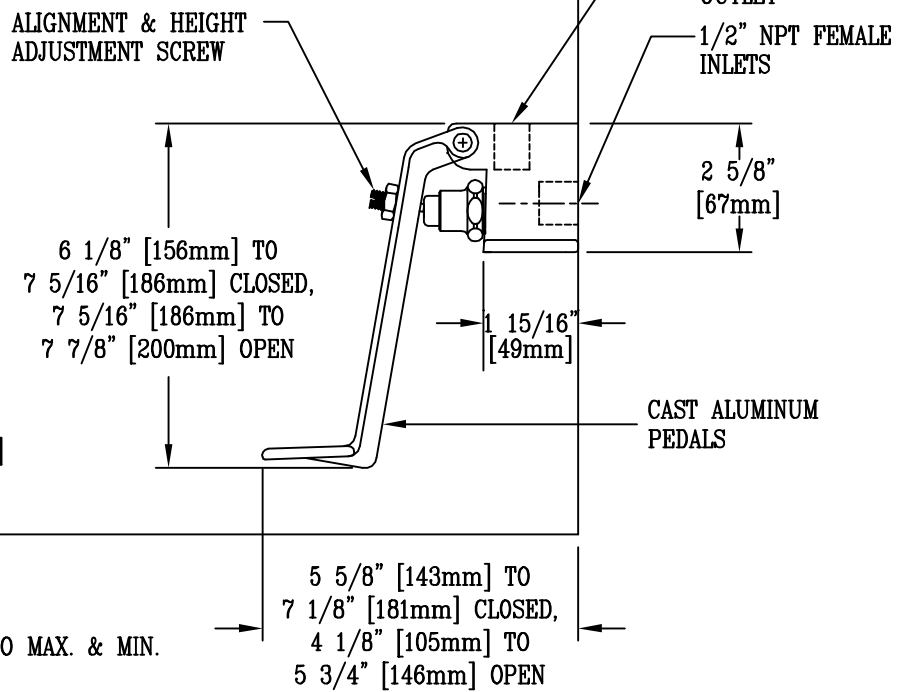
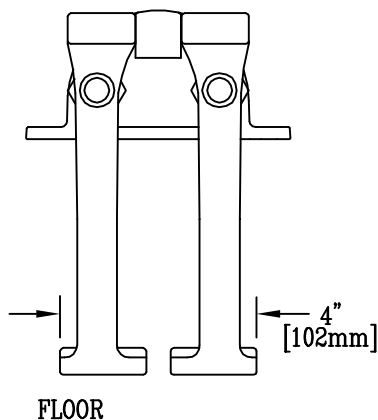
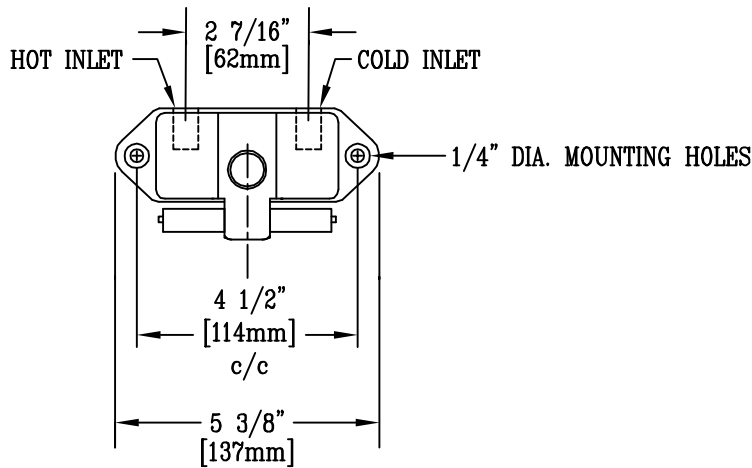
B-0505

Item No.:

Job Name:

Architect/Engineer Approval:

Notes:



1. PEDAL DIMENSIONS VARY ACCORDING TO MAX. & MIN. SETTINGS OF ADJUSTMENT SCREW.
2. FURNISHED WITH (2) WOOD MOUNTING SCREWS.

Product Description:

DOUBLE PEDAL VALVE

Drawn:

TME

Approved

MVW

Checked

MVW

Scale:

1:4

Date:

10/13/98