



T&S BRASS AND BRONZE WORKS, INC.
 2 SADDLEBACK COVE / P.O. BOX 1088 / TRAVELERS REST, SC 29690
 PHONE 800-476-4103 FAX 864-834-3518



Model No.

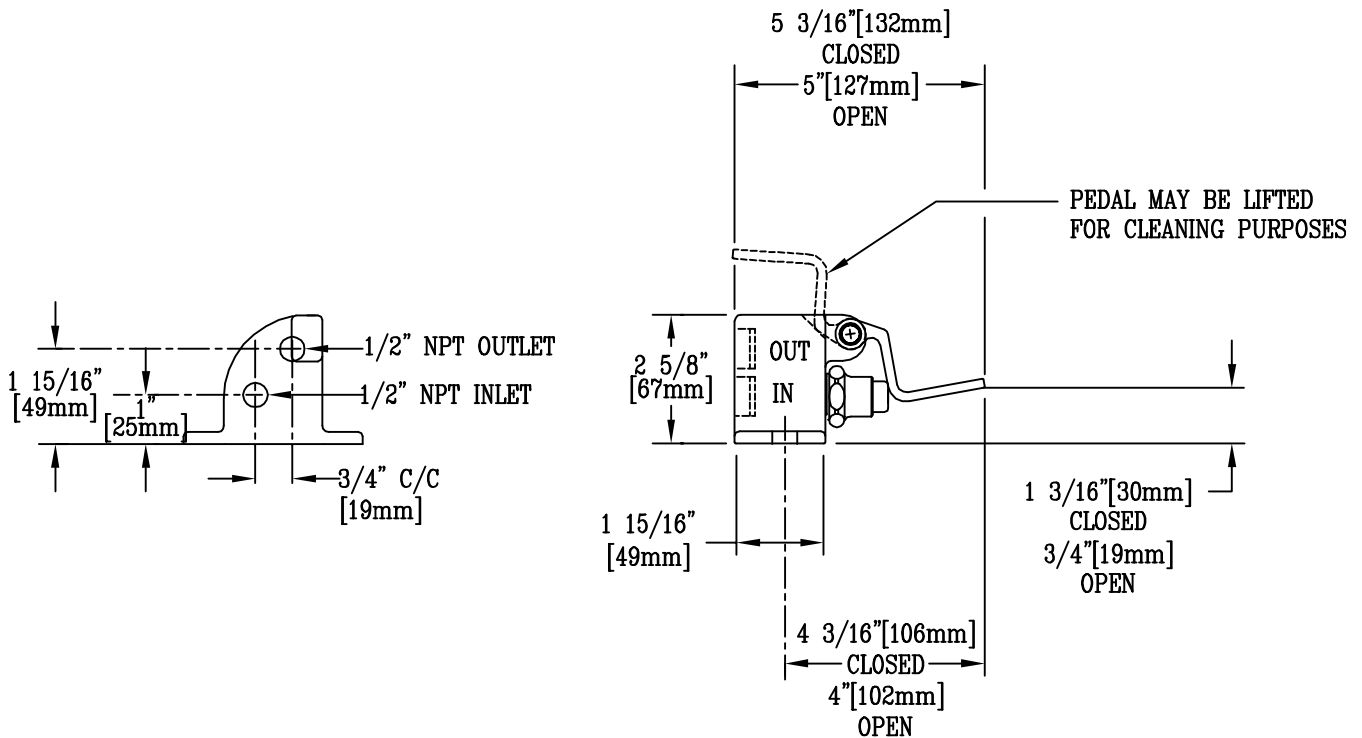
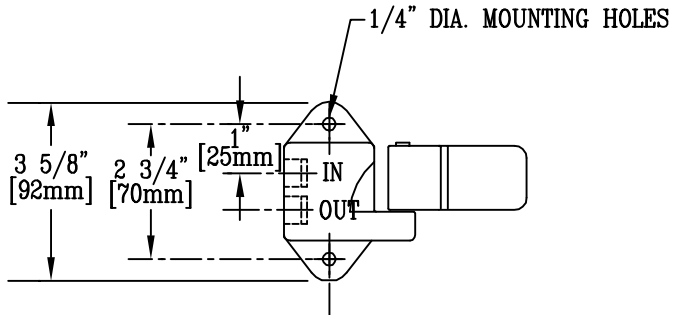
B-0507

Item No.:

Job Name:

Architect/Engineer Approval:

Notes:



1. FURNISHED WITH (2) WOOD MOUNTING SCREWS

Product Description: SINGLE PEDAL VALVE	Drawn: TME	Checked: JKD	Scale: 1:4
	Approved: MVW		Date: 2/25/00