



T&S BRASS AND BRONZE WORKS, INC.

2 SADDLEBACK COVE / P.O. BOX 1088 / TRAVELERS REST, SC 29690

PHONE 800-476-4103

FAX 864- 834-3518



Model No.

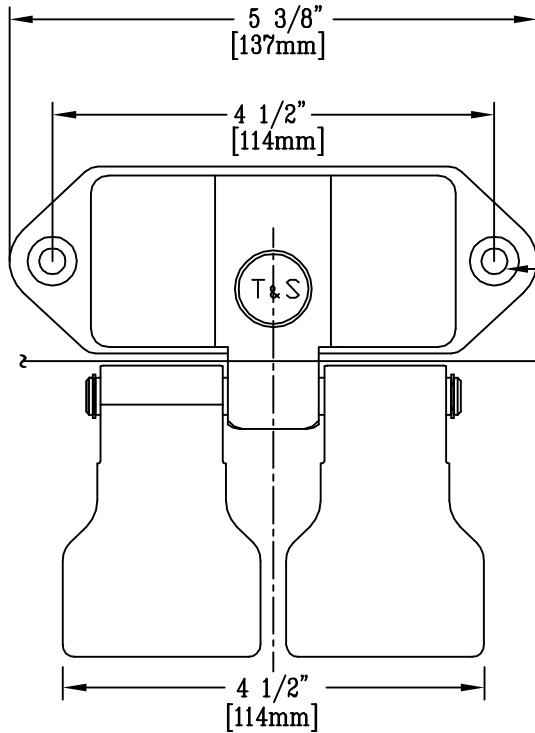
B-0509

Item No.:

Job Name:

Architect/Engineer Approval:

Notes:

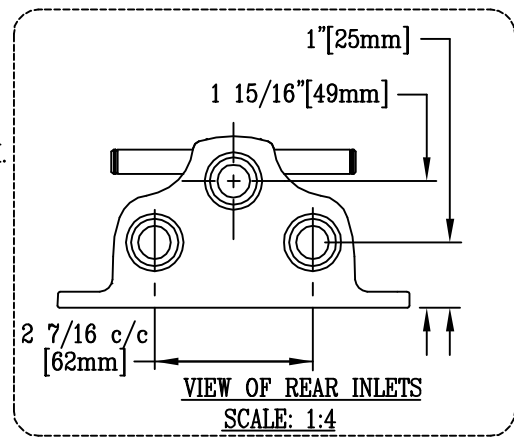


MOUNT PEDAL VALVE ON LEDGE INSIDE CASEWORK. (FURNISHED WITH (2) WOOD MOUNTING SCREWS).

1/4" DIA. MOUNTING HOLES

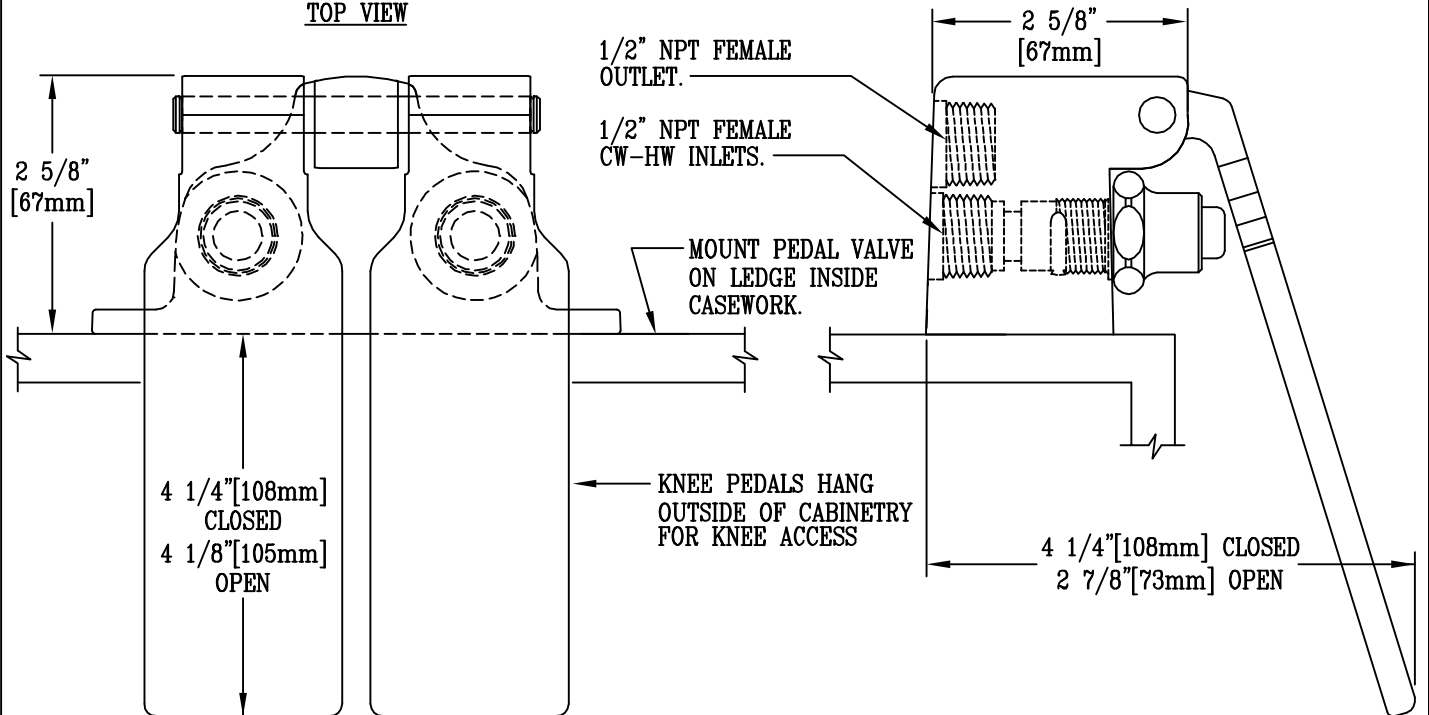
FRONT EDGE OF CASEWORK.

TOP VIEW



VIEW OF REAR INLETS

SCALE: 1:4



1/2" NPT FEMALE OUTLET.

1/2" NPT FEMALE CW-HW INLETS.

MOUNT PEDAL VALVE ON LEDGE INSIDE CASEWORK.

KNEE PEDALS HANG OUTSIDE OF CABINETRY FOR KNEE ACCESS

4 1/4" [108mm] CLOSED  
2 7/8" [73mm] OPEN

Product Description:

DOUBLE KNEE PEDAL VALVE

Drawn:

TME

Approved

MVW

Checked

WJS

Scale:

1:2

Date:

10/23/98