

T&S BRASS AND BRONZE WORKS, INC.

2 SADDLEBACK COVE / P.O. BOX 1088 / TRAVELERS REST, SC 29690

PHONE 800-476-4103

FAX 864- 834-3518



Model No.

B-0512

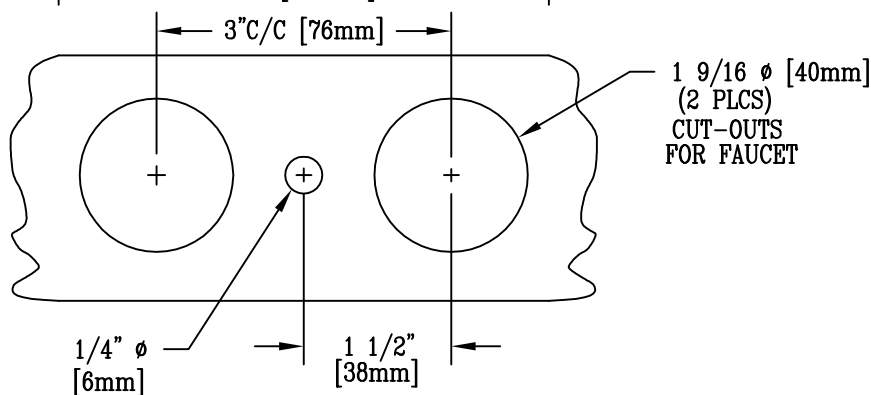
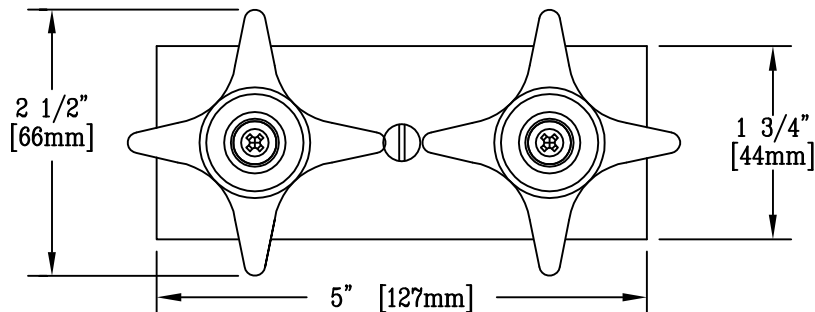
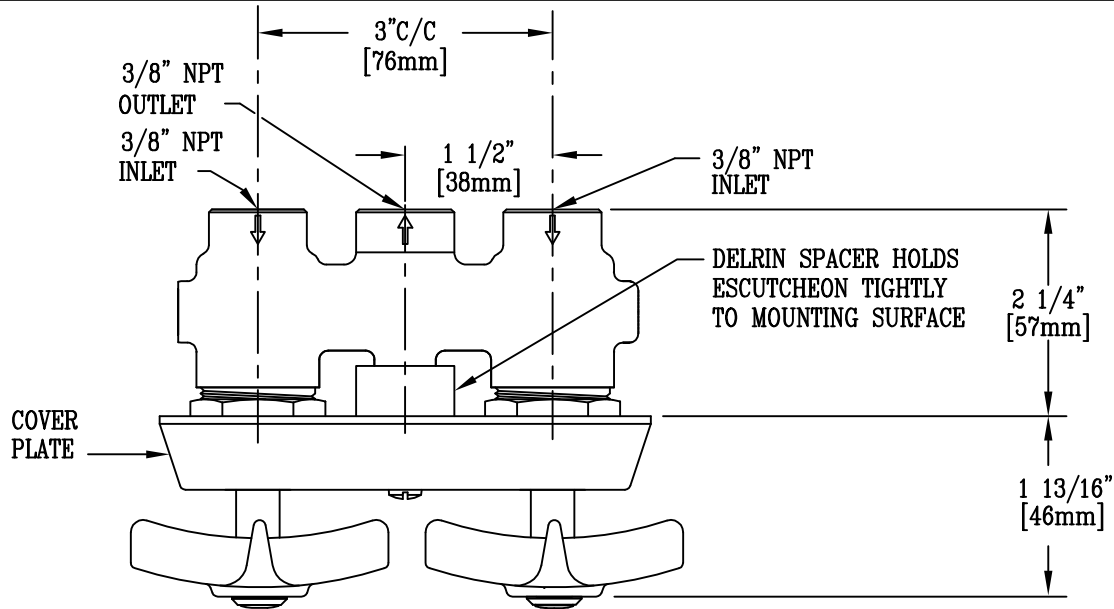
Item No.:

REG.#A2601
ISO #9002

Job Name:

Architect/Engineer Approval:

Notes:



Product Description:

CONCEALED MIXING FAUCET WITH 4-ARM HANDLES

Drawn:

WJS

Approved

JHB

Checked

JRM

Scale:

1 : 2

Date:

02/03/06