



**T&S BRASS AND BRONZE WORKS, INC.**  
 2 SADDLEBACK COVE / P.O. BOX 1088 / TRAVELERS REST, SC 29690  
 PHONE 800-476-4103 - FAX 864- 834-3518



Model No.

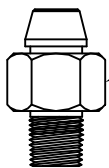
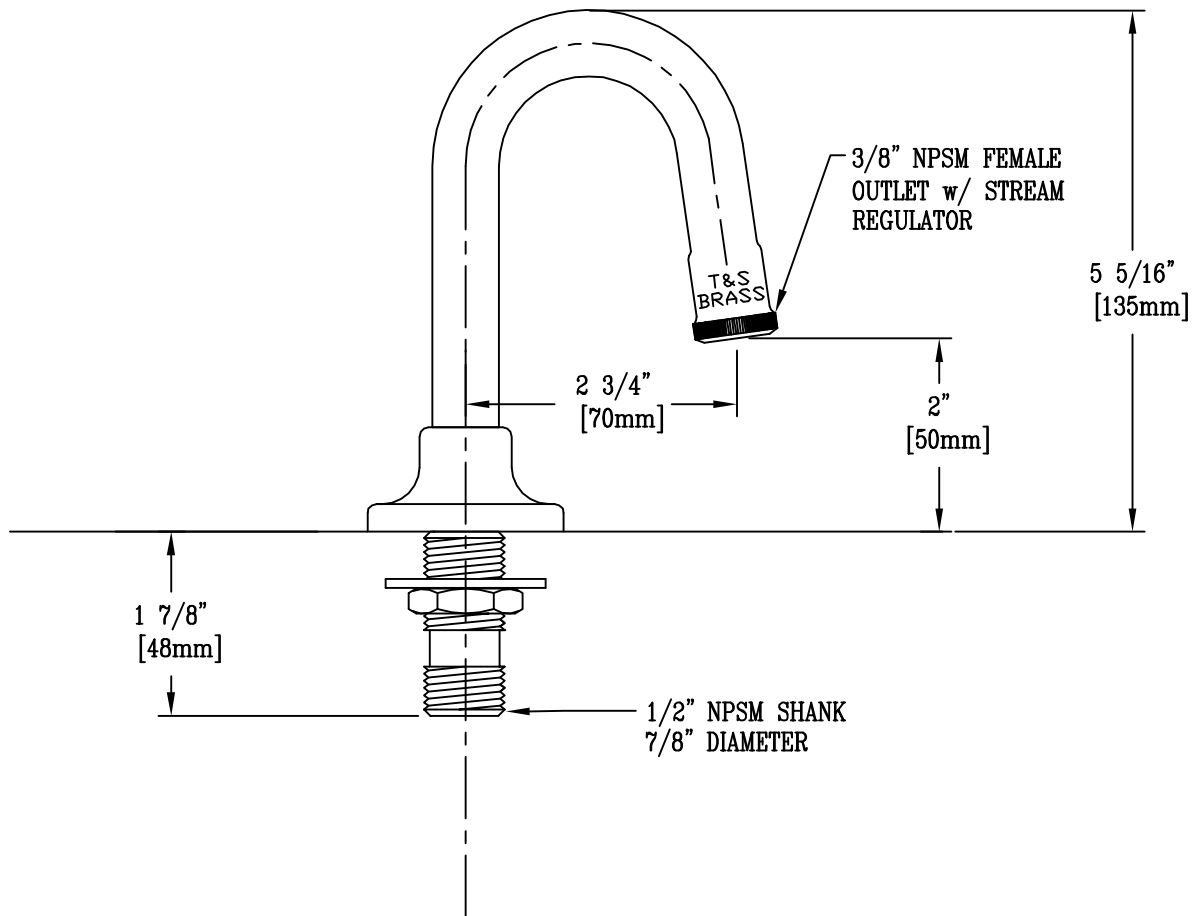
B-0520-01

**RELIABILITY  
 BUILT IN**

Job Name:

Architect/Engineer Approval:

Notes:



150A TAILPIECE  
 AND NUT FURNISHED  
 FOR OPTIONAL  
 1/4" NPT CONNECTION

Product Description:

DECK MOUNT DUMMY RIGID GOOSENECK  
 WITH STREAM REGULATOR

Drawn:

PRJ

Checked

WJS

Scale:

1 : 2

Approved

MVW

Date:

05/23/02